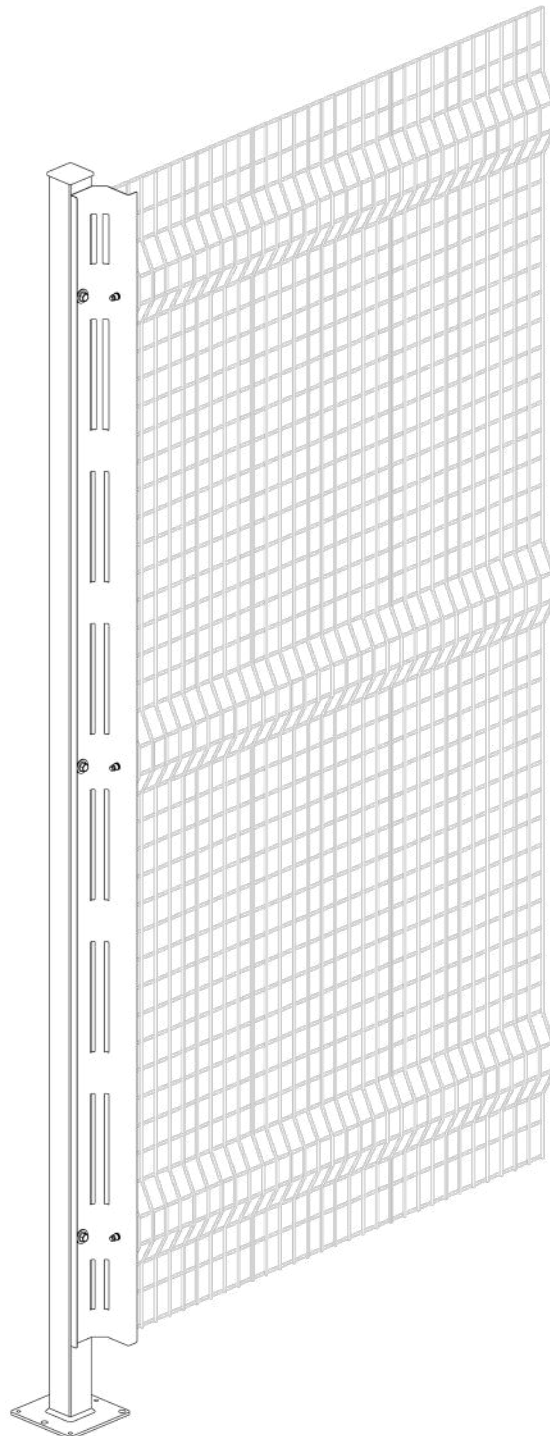


# AdaptaGuard

VARIABLE ANGLE JUNCTION - ASSEMBLY INSTRUCTIONS

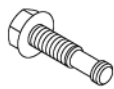
Accessory



# AdaptaGuard

## H1640 VARIABLE ANGLE JUNCTION - ASSEMBLY INSTRUCTIONS

4VEZTFZA008025



x 3

ISO 7093 Ø8 Ø24



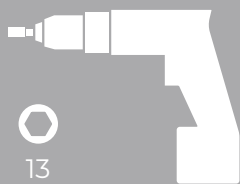
x 3

220043C



x 1

### Tools



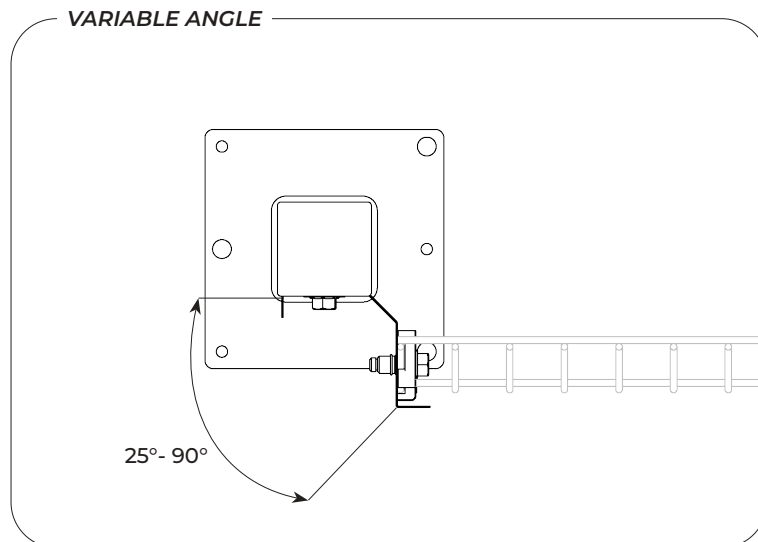
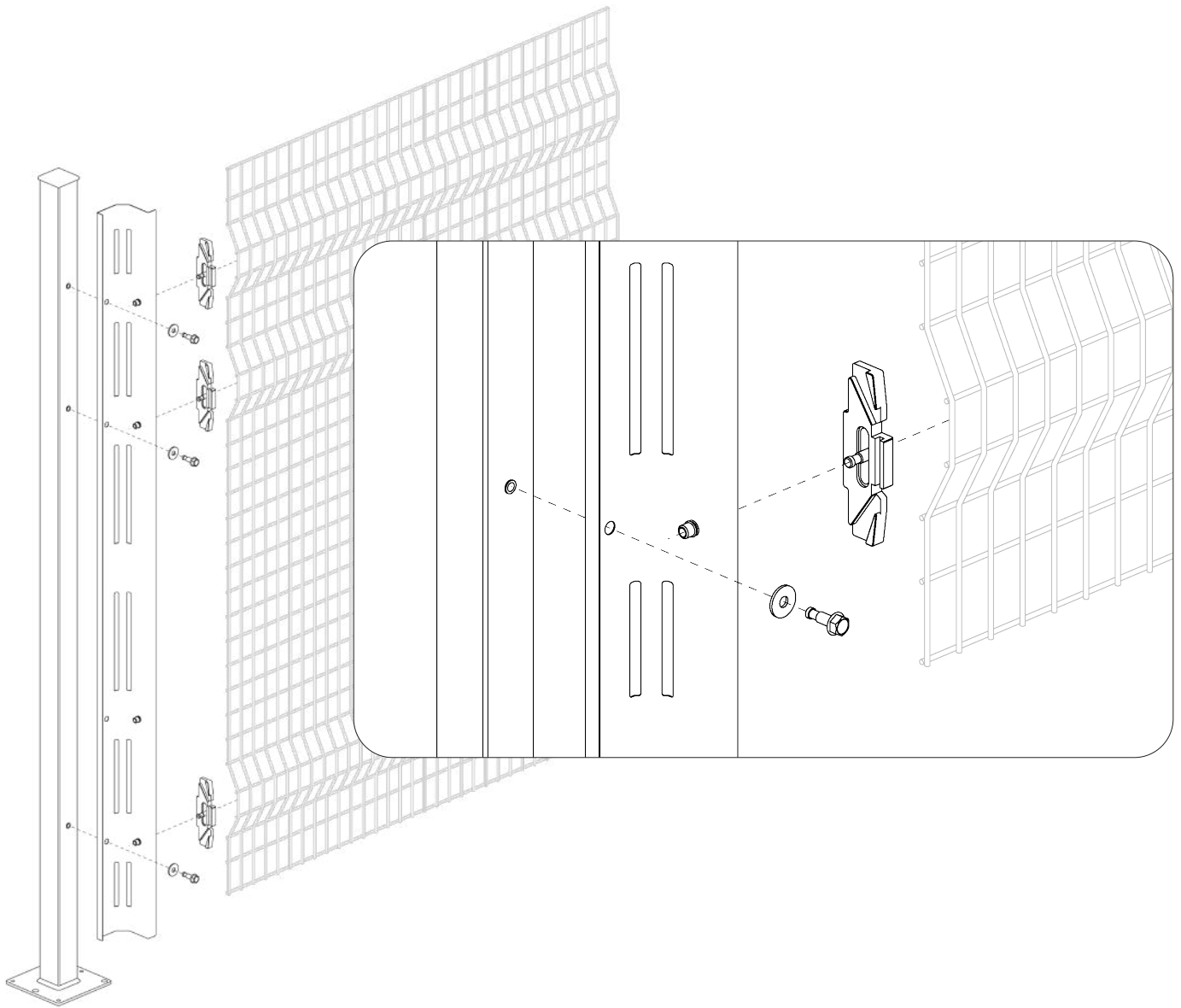
13



13

# AdaptaGuard

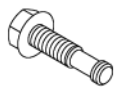
## H1640 VARIABLE ANGLE JUNCTION - ASSEMBLY INSTRUCTIONS



# AdaptaGuard

## H2240 VARIABLE ANGLE JUNCTION - ASSEMBLY INSTRUCTIONS

4VEZTFZA008025



x 3

ISO 7093 Ø8 Ø24



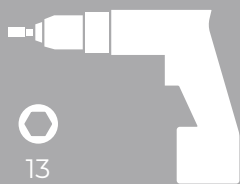
x 3

220044C



x 1

### Tools



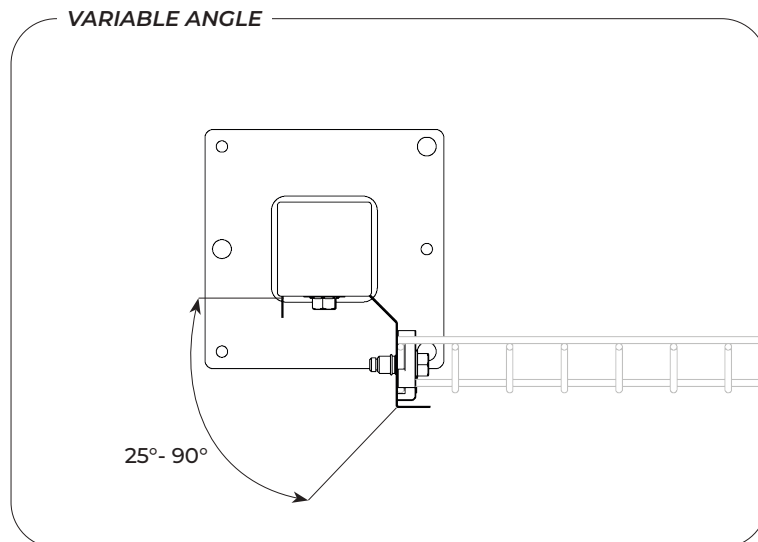
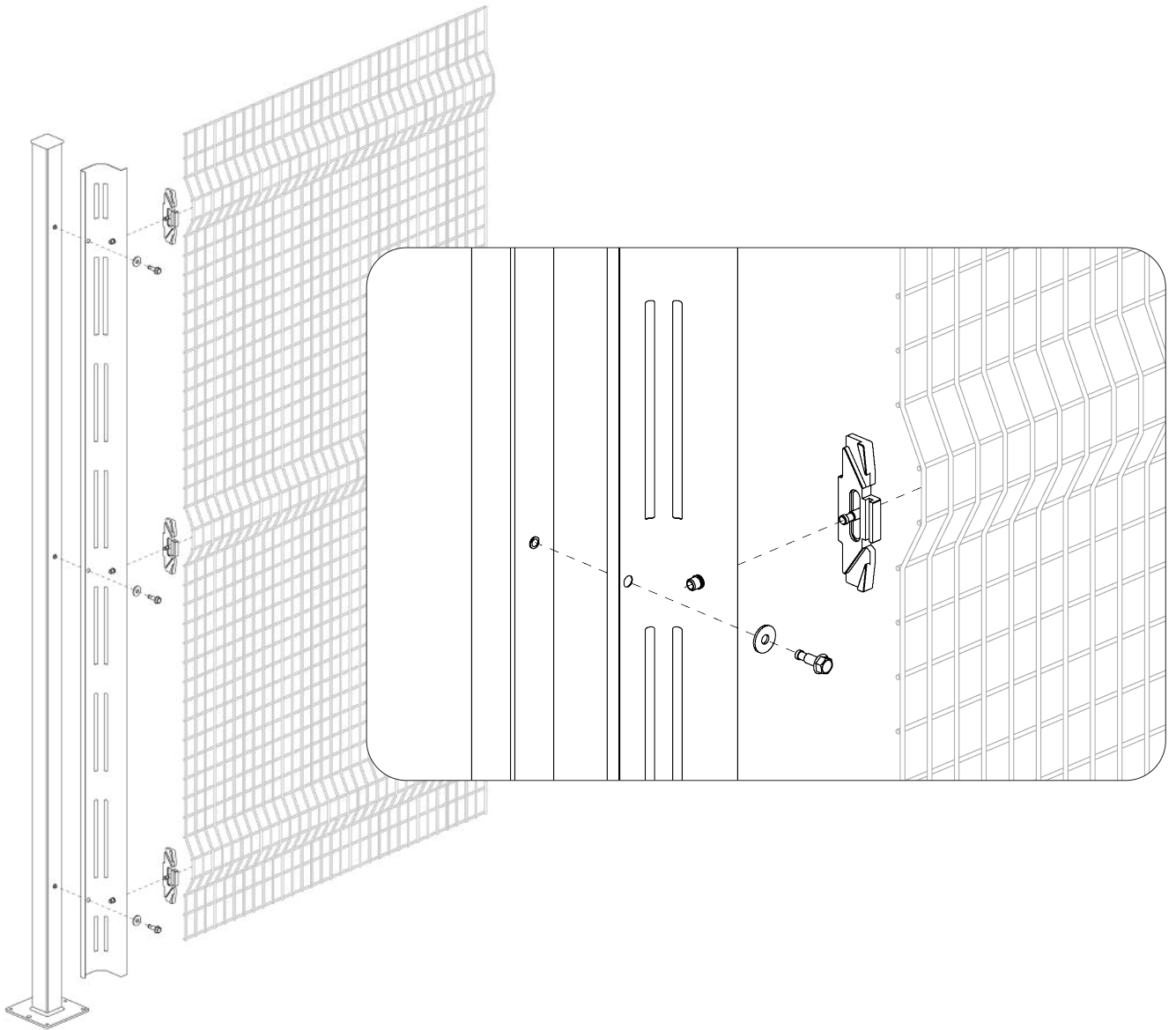
13



13

# AdaptaGuard

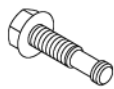
## H2240 VARIABLE ANGLE JUNCTION - ASSEMBLY INSTRUCTIONS



# AdaptaGuard

## H2640 VARIABLE ANGLE JUNCTION - ASSEMBLY INSTRUCTIONS

4VEZTFZA008025



x 4

ISO 7093 Ø8 Ø24



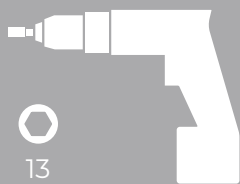
x 4

220045C



x 1

### Tools



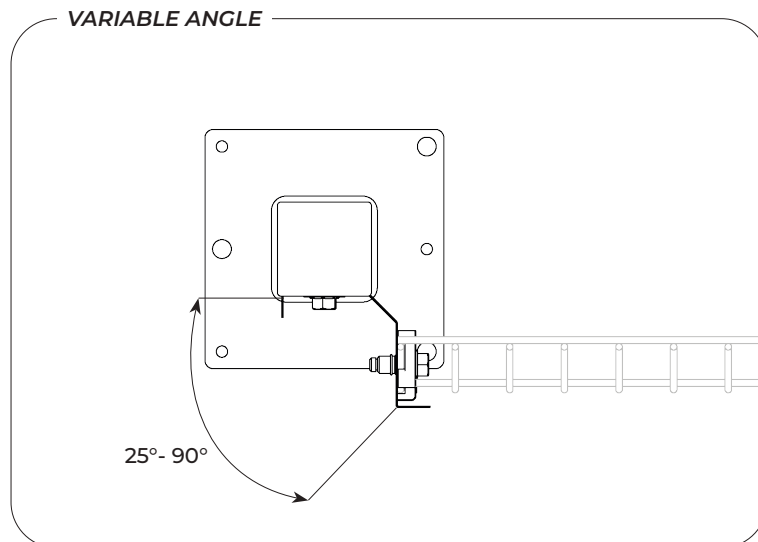
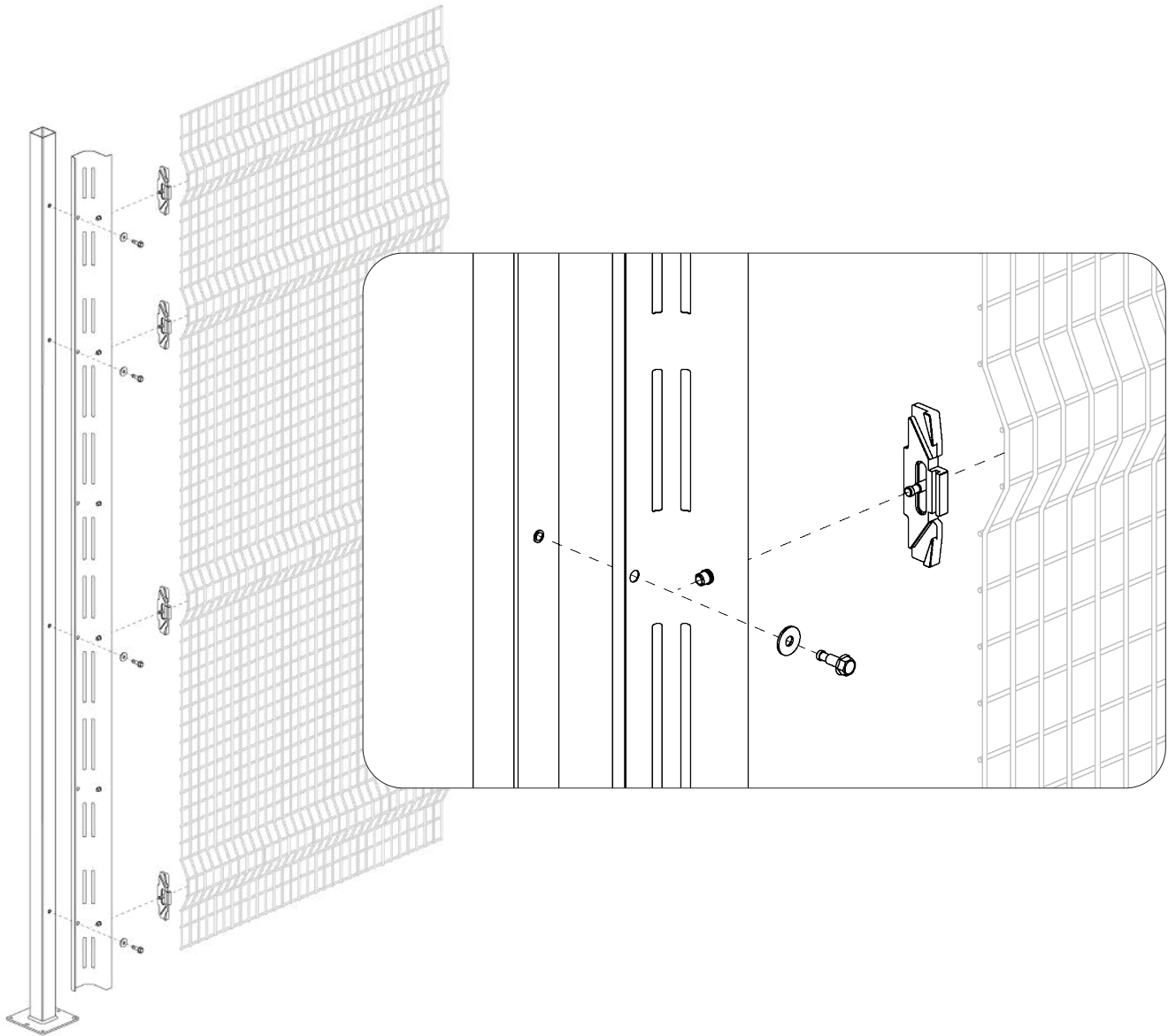
13



13

# AdaptaGuard

## H2640 VARIABLE ANGLE JUNCTION - ASSEMBLY INSTRUCTIONS



# Modular Machine Guards that fit your needs.

Tailor-made solutions for the safety of operators and machinery



Protecting workers and machinery is paramount to create a safe and productive work environment. Satech Modular Machine Guards Systems, Doors and Accessories provide tailor-made solutions for any machinery layout need. **3 framed Systems, 2 frameless Systems and more than 150 Locks/Interlocks** ensure the maximum level of protection (PL) when accessing hazard areas for inspection or machinery maintenance.

## Perimeter Protection Machine Safety Guards compliant with European and International Standards

Satech Machine Guards are manufactured in compliance with the **EN ISO 14120** standard, "General requirements for the design and construction of fixed and movable guards". They can be installed at a minimum distance of **120 mm from hazard** (as for EN ISO 13857), saving you plenty of layout space.

All Satech products are manufactured with **quality materials** and are highly durable. Mesh panels and other panel solutions can be easily and rapidly connected to posts (with captive retained fastenings, as for 2006/42/CE - Machinery Directive), which allows you to greatly **reduce assembly time**.

Founded in 2000, Satech was the first Italian Perimeter Guards Manufacturer. A **modern international company** today, in our 20+ years of work we have taken care of the safety of thousands of automated machinery systems and of millions of people worldwide. A **Safe** Factory is a **Productive** One.



## Need help with this manual?

If you need additional specs, tips or manuals, please call our **Customer Service** at

**+39 031 86230 85**

**SATECH**  
Modular Machine Guards

Satech Safety Technology SpA

Via Conte Taverna, 1  
I-23892 Bulciago (LC)  
Phone +39 031 86230 11



**CERTIFIED**  
**ISO 9001**  
**ISO 14001**  
**ISO 45001**

