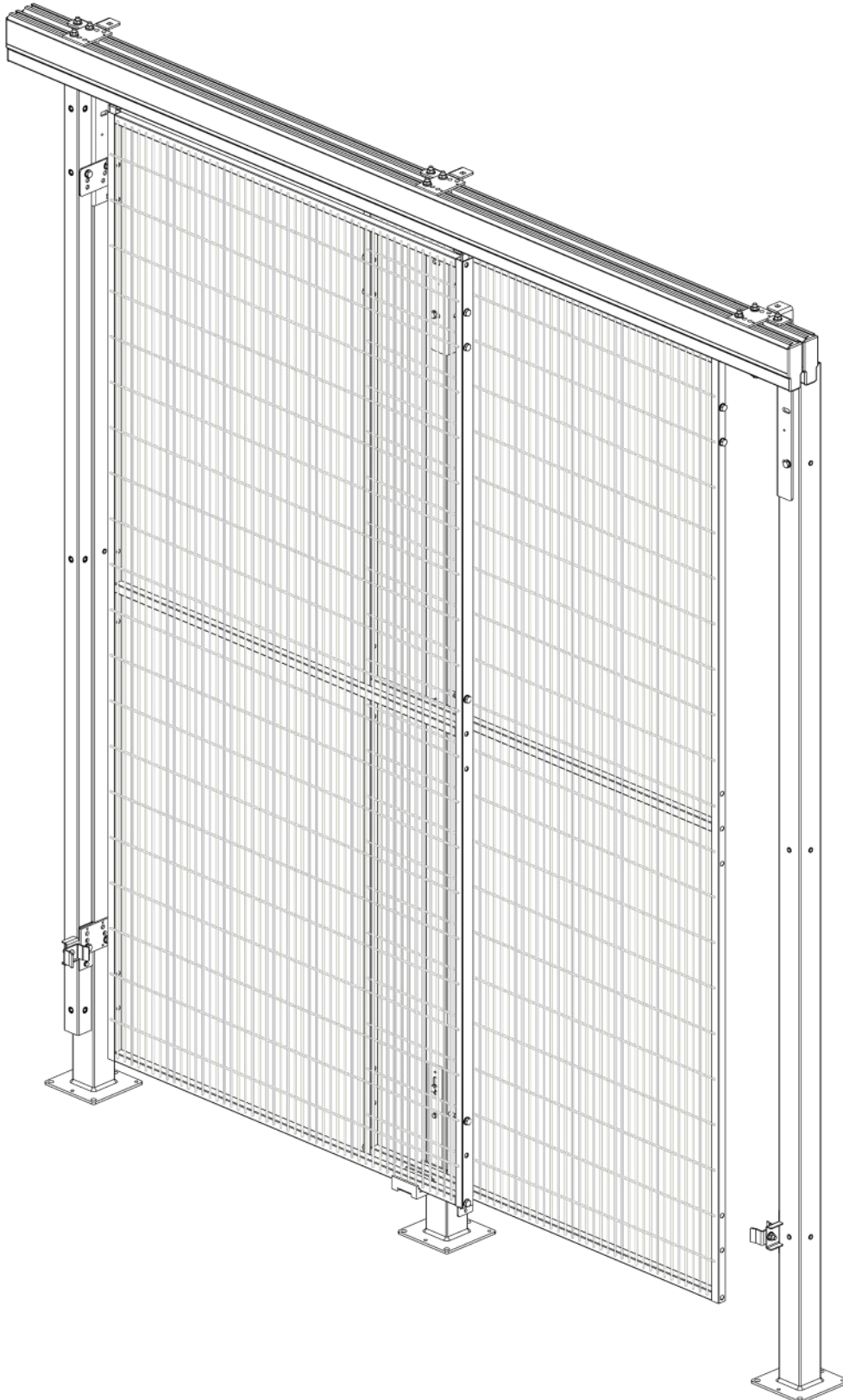
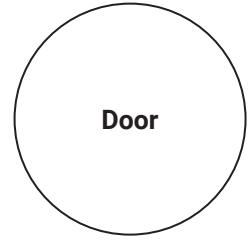


ALTERNATE

Upper Guide Sliding Door

W < = 1500mm PER SIDE - ASSEMBLY INSTRUCTIONS



Alternate Upper Guide **Sliding Door**

W < = 1500mm PER SIDE - ASSEMBLY INSTRUCTIONS

403000000000008

690036



x 2

00003882



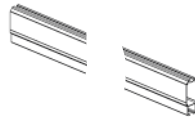
x 4

680016D



x 2

220516/220517
H2080 H2480

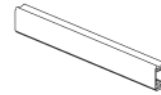


x 4



x 1

220522/220523/220524
H1480 H2080 H2480

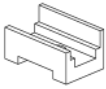


x 2



x 1

220526A



x 2

220510B



x 3

220518A



x 4

220527



x 1

220511A



x 2

00009821



x 2

36905160



x 4

400100000000004

220528



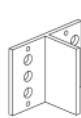
x 1

220529



x 1

220514



x 4

ISO 8678 M8 x 20



x 5

ISO 7380 M8 x 16



x 2

ISO 10642 M8 x 20



x 2

ISO 4161 M8



x 9

460KCAROMGE X4

ISO 4017 M8 x 20



x 2

ISO 7089 Ø8



x 2

ISO 4161 M8



x 4

400100000000003

ISO 4017 M8 x 50



x 6

ISO 10642 M8 x 20



x 2

ISO 8678 M8 x 20



x 4

ISO 7380 M8 x 16



x 10

ISO 15480 Ø4.8 X 16



x 14

ISO 7089 Ø8



x 8

ISO 7093/2 Ø8



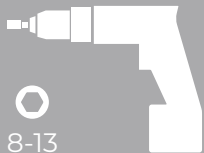
x 8

ISO 4161 M8



x 8

Tools



8-13



13

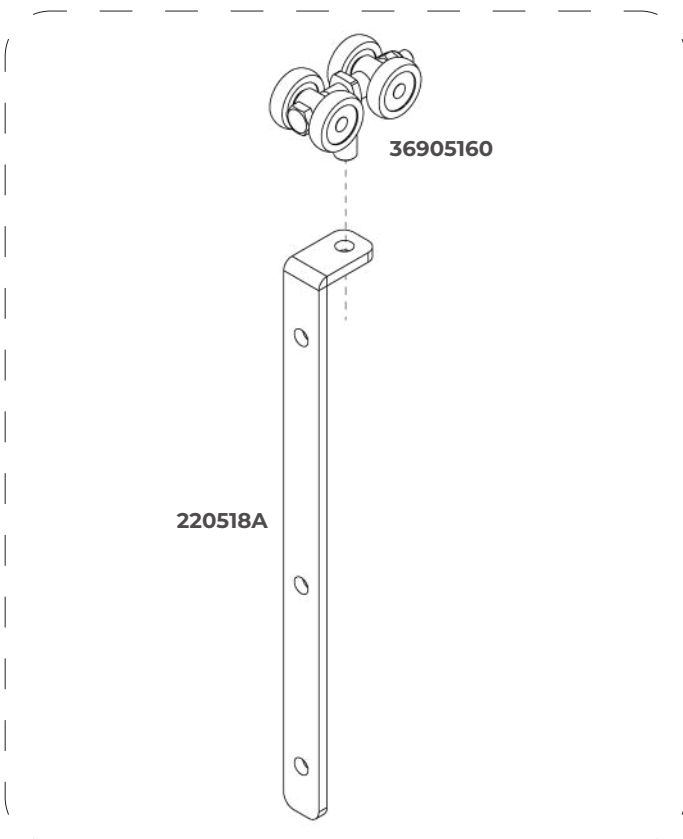
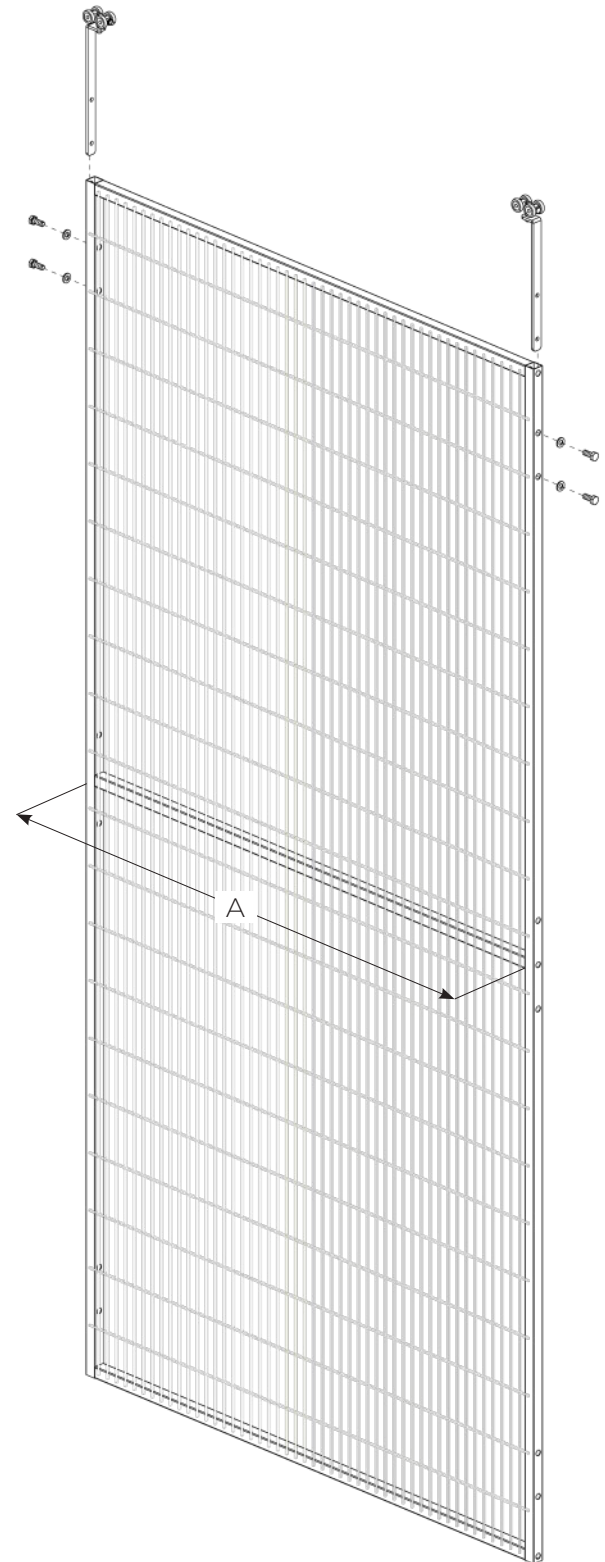
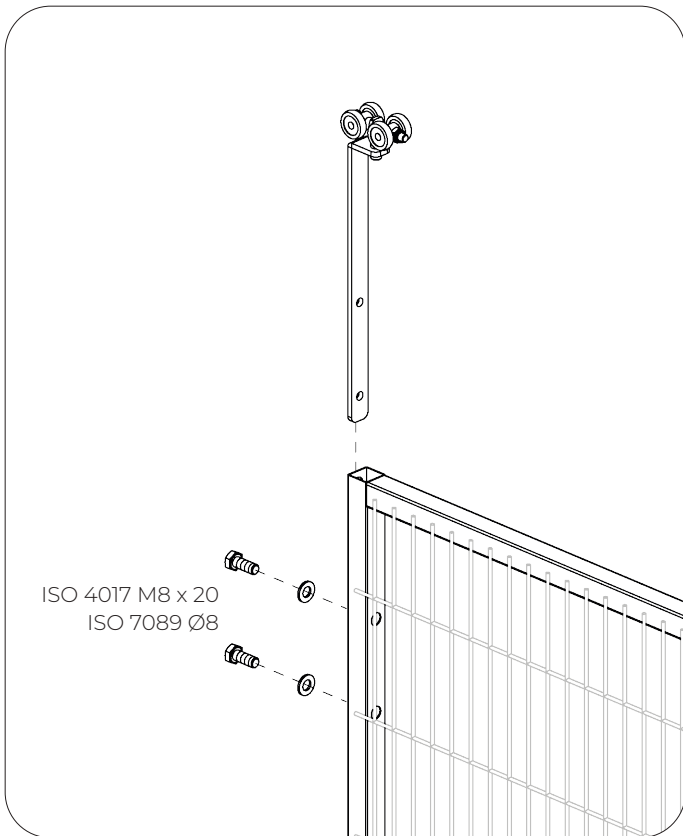


5



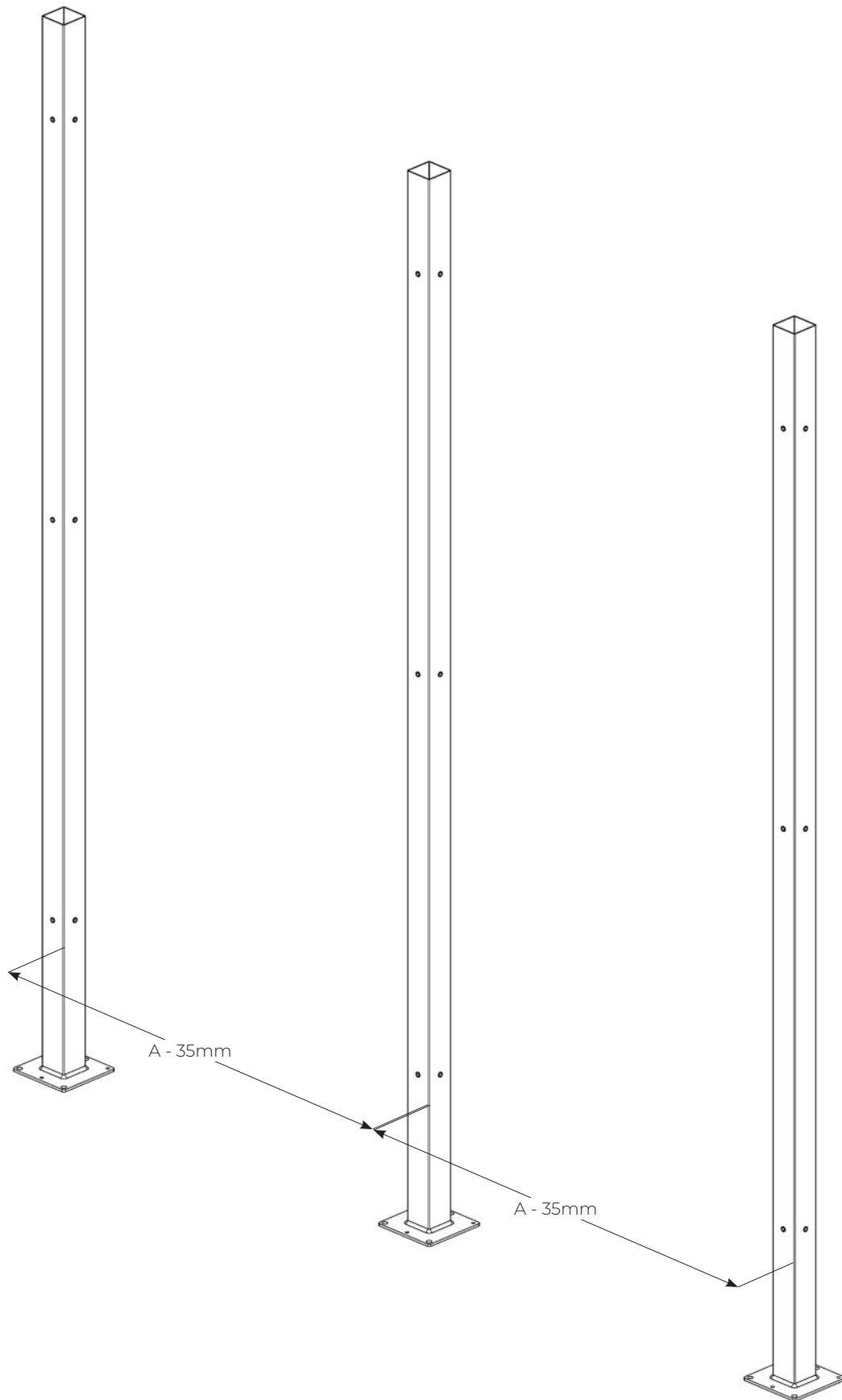
Alternate Upper Guide **Sliding Door**

W < = 1500mm PER SIDE - ASSEMBLY INSTRUCTIONS



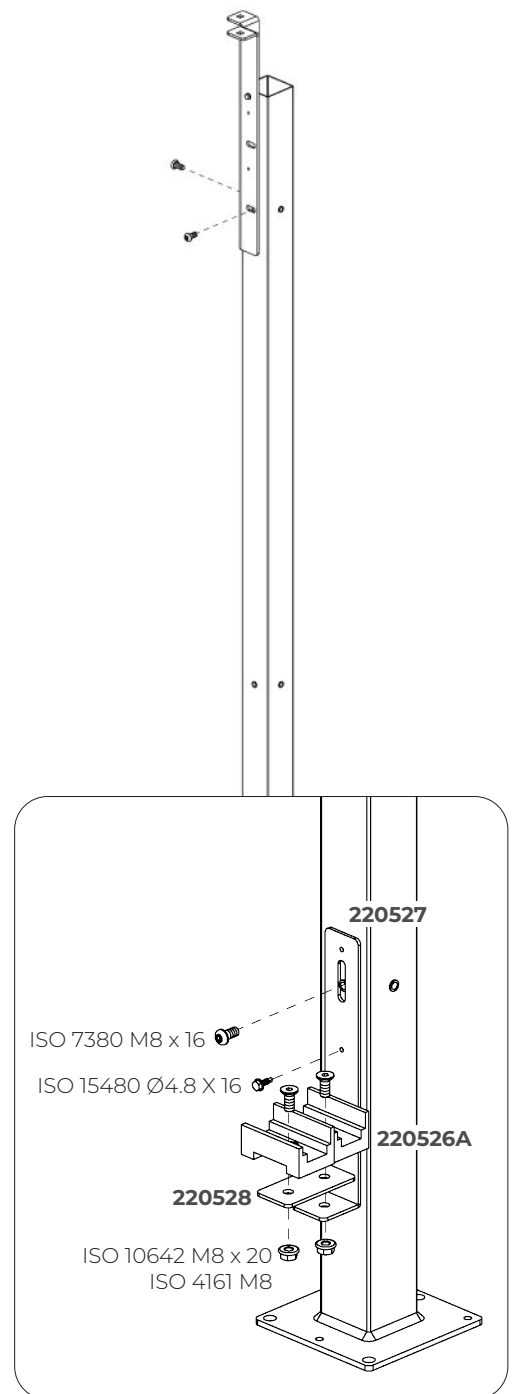
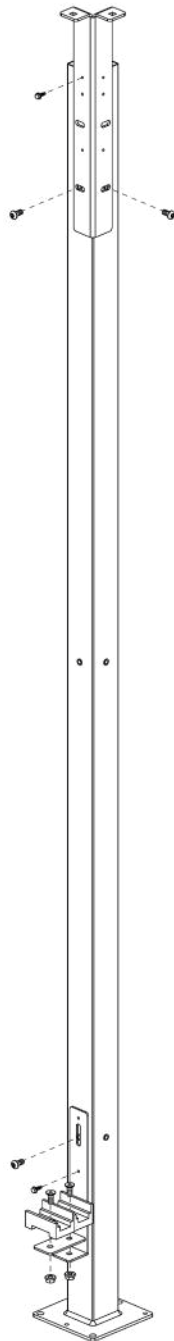
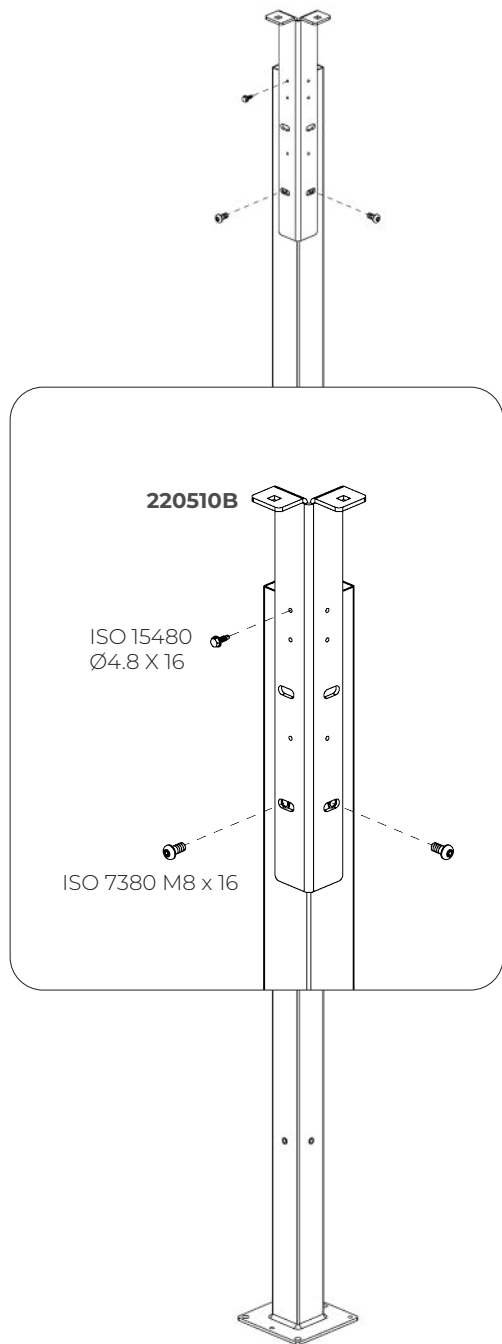
Alternate Upper Guide **Sliding Door**

W < = 1500mm PER SIDE - ASSEMBLY INSTRUCTIONS



Alternate Upper Guide **Sliding Door**

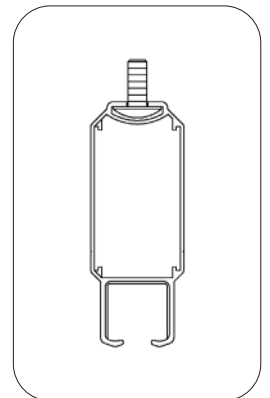
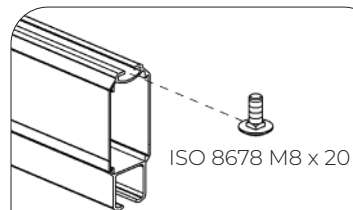
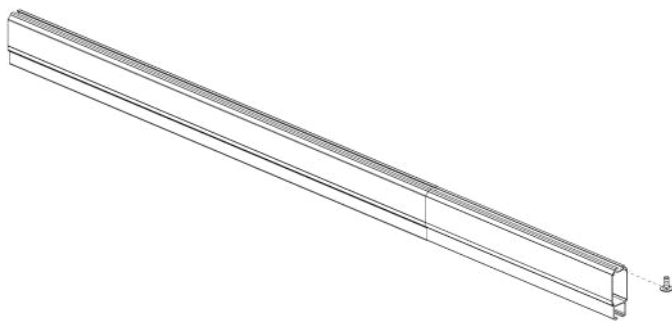
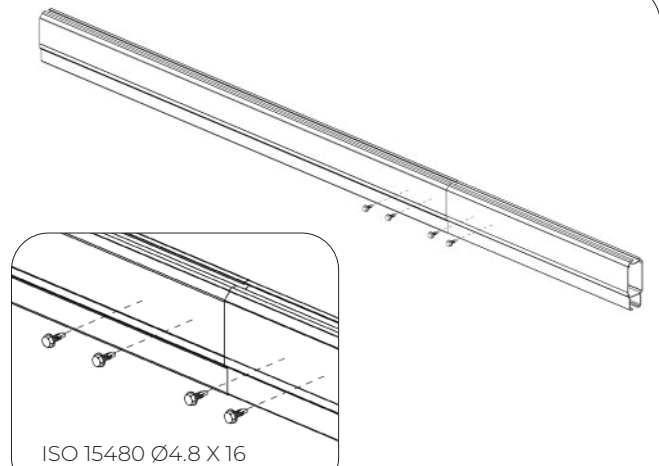
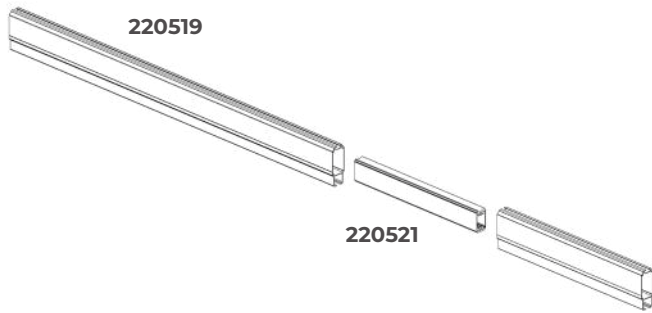
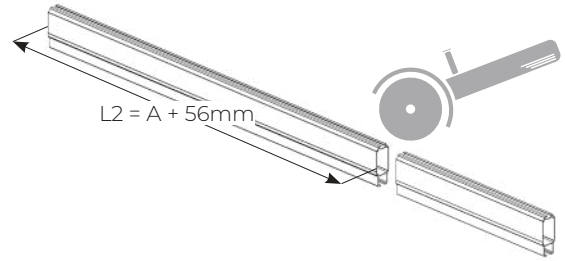
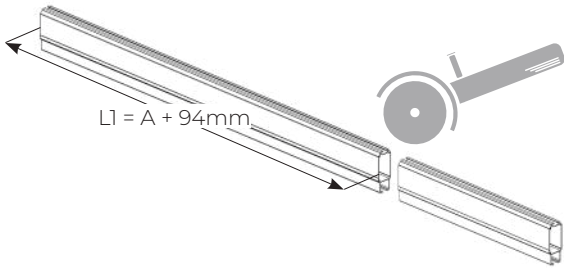
W < = 1500mm PER SIDE - ASSEMBLY INSTRUCTIONS



Alternate Upper Guide **Sliding Door**

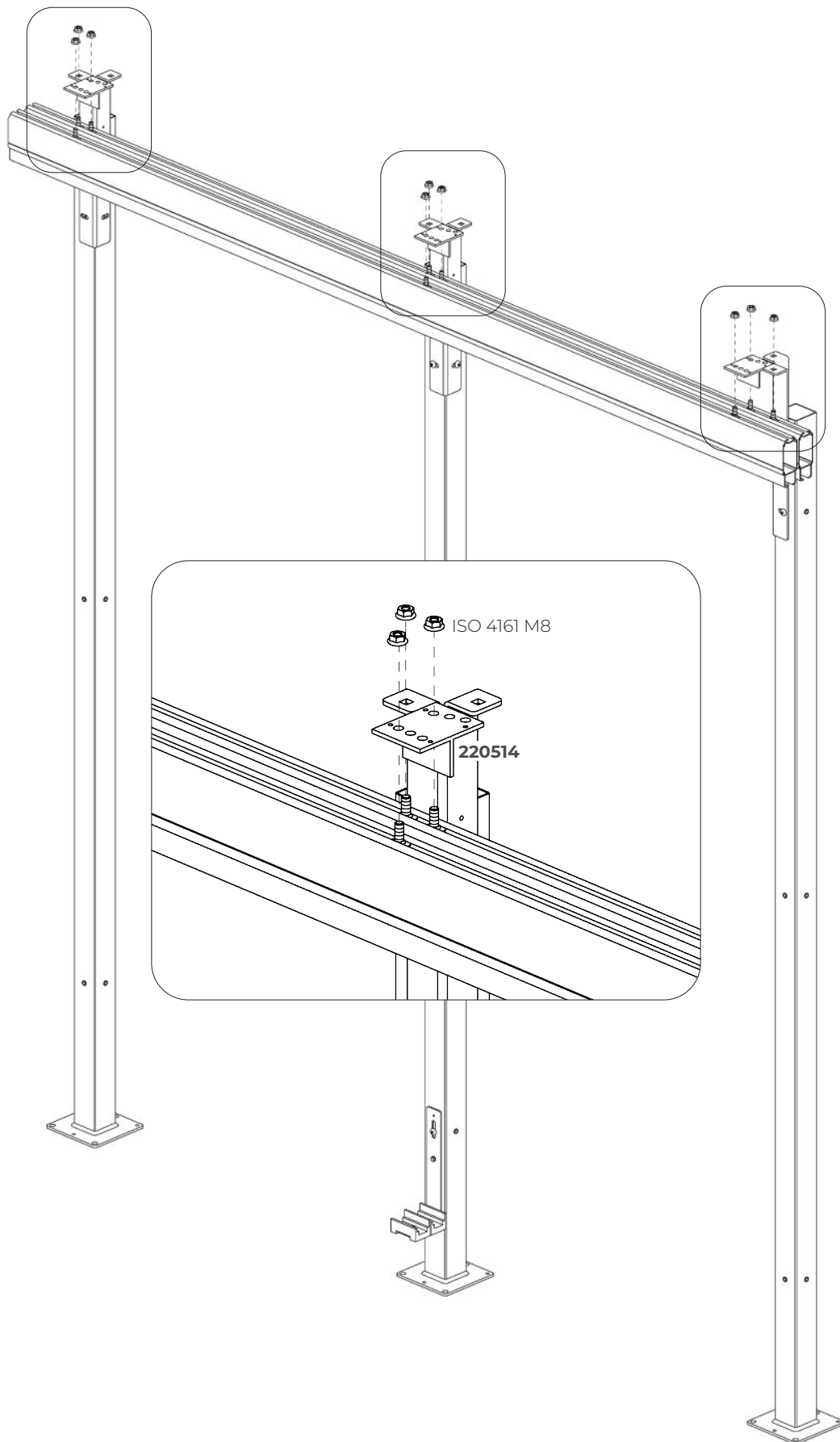
$W < = 1500\text{mm}$ PER SIDE - ASSEMBLY INSTRUCTIONS

220519



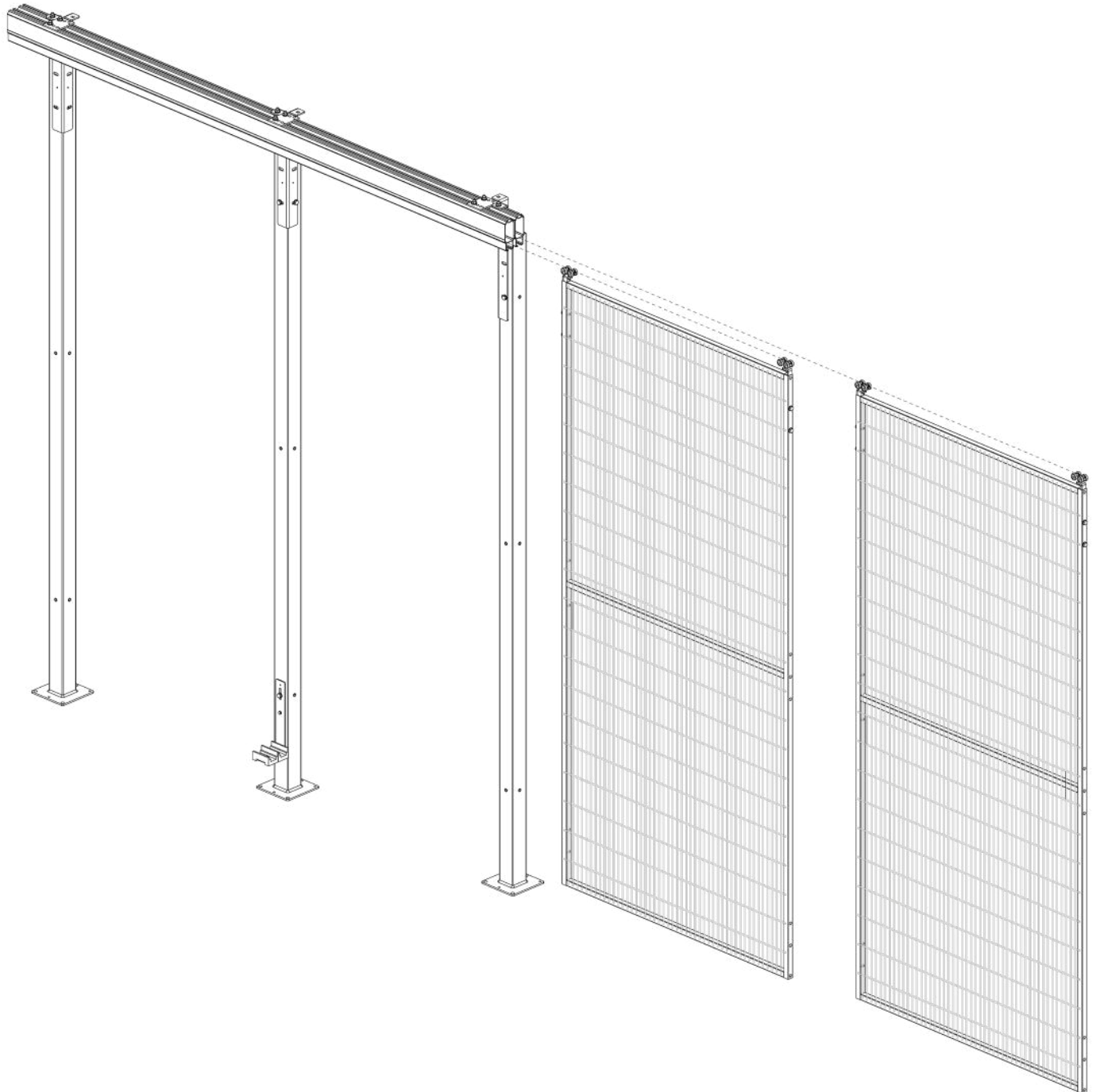
Alternate Upper Guide **Sliding Door**

W < = 1500mm PER SIDE - ASSEMBLY INSTRUCTIONS



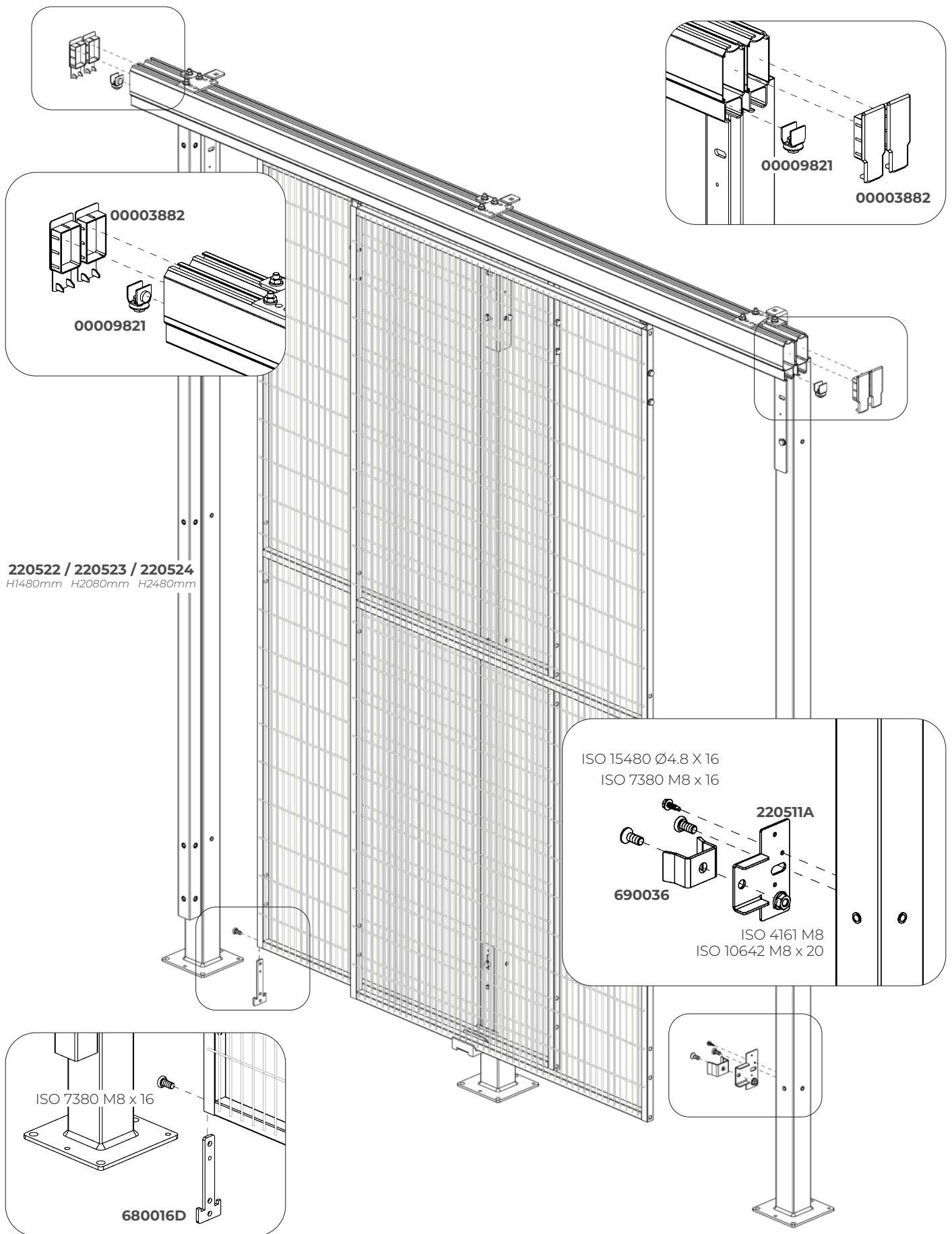
Alternate Upper Guide **Sliding Door**

W < = 1500mm PER SIDE - ASSEMBLY INSTRUCTIONS



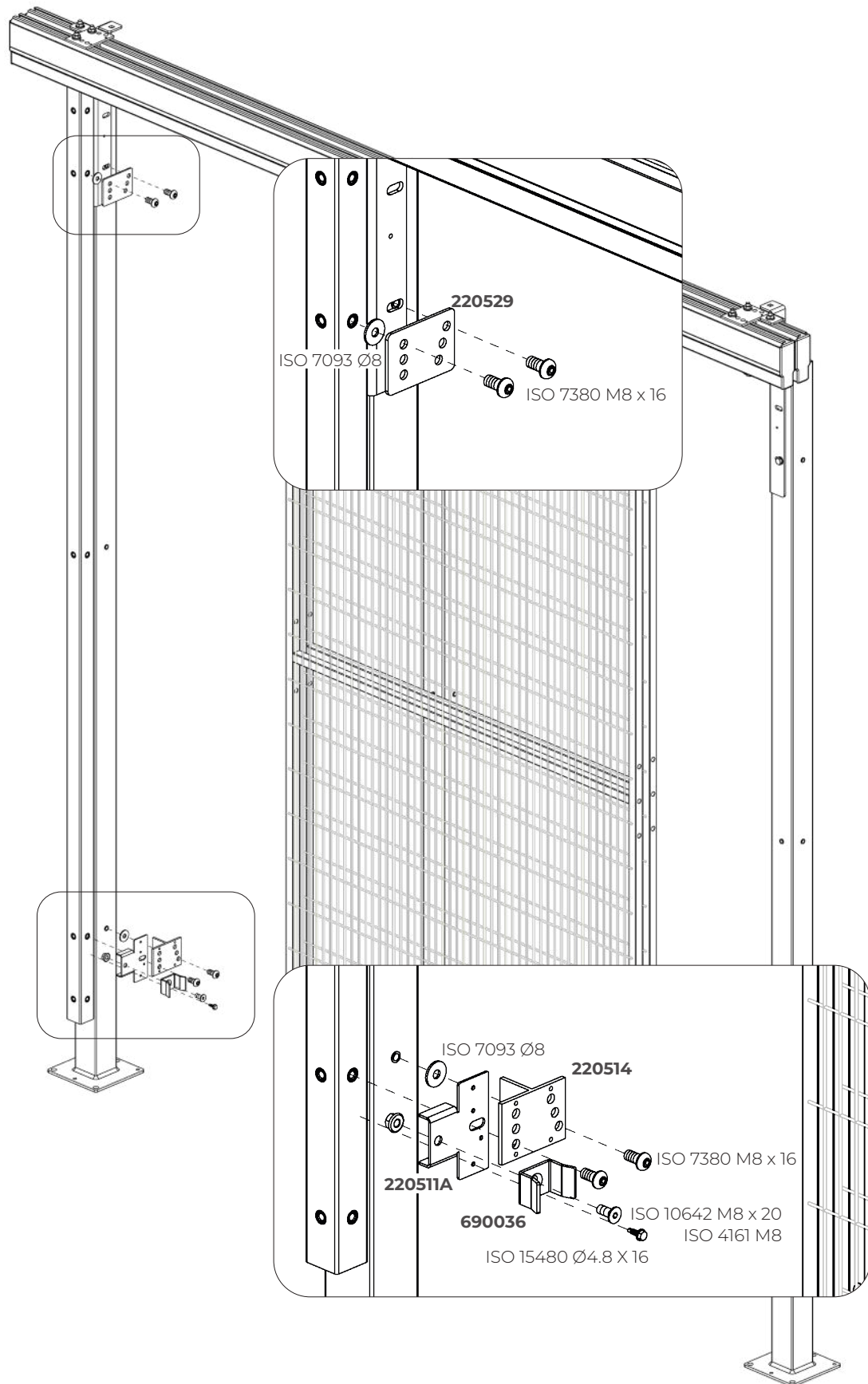
Alternate Upper Guide **Sliding Door**

W < = 1500mm PER SIDE - ASSEMBLY INSTRUCTIONS



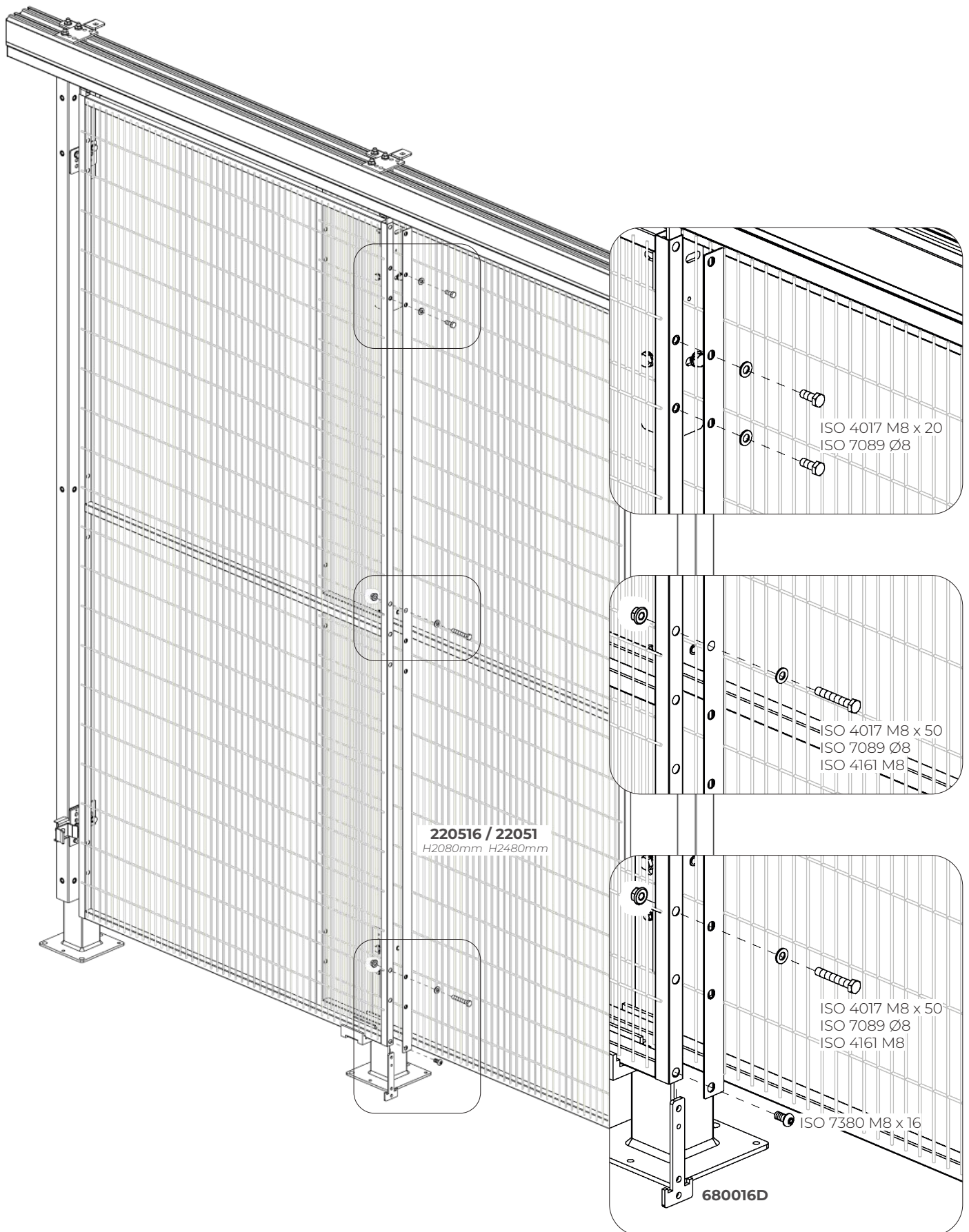
Alternate Upper Guide **Sliding Door**

W < = 1500mm PER SIDE - ASSEMBLY INSTRUCTIONS



Alternate Upper Guide **Sliding Door**

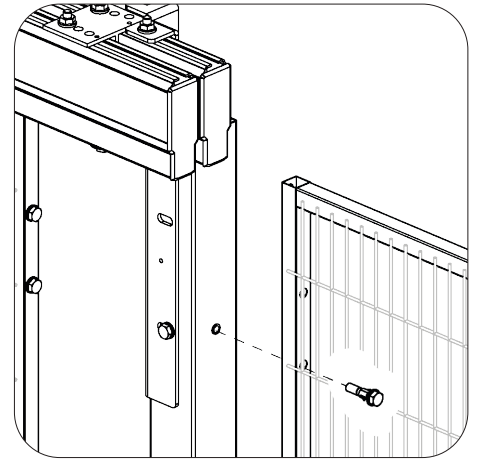
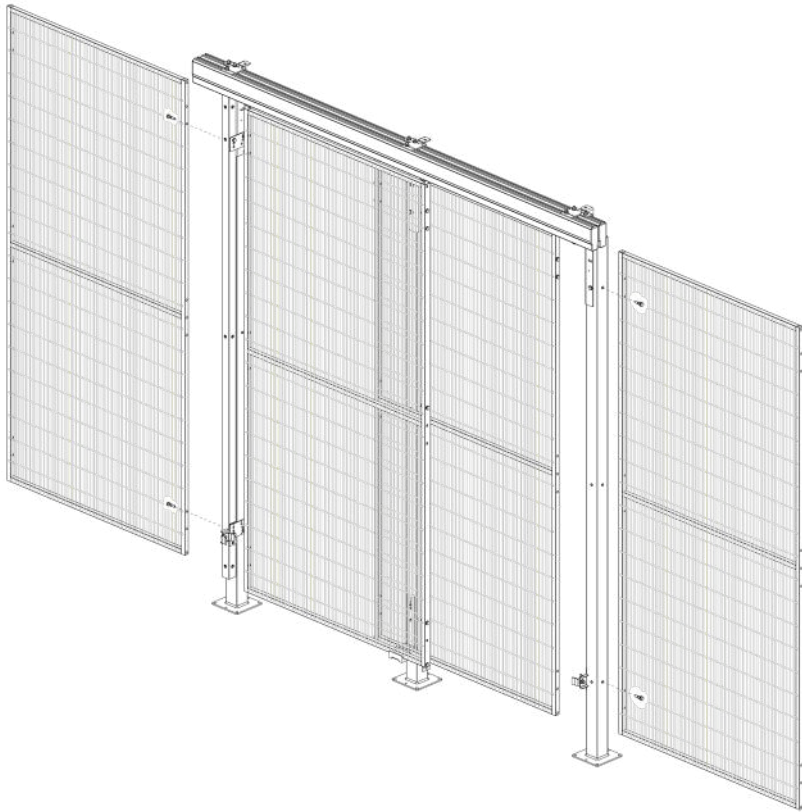
W < = 1500mm PER SIDE - ASSEMBLY INSTRUCTIONS



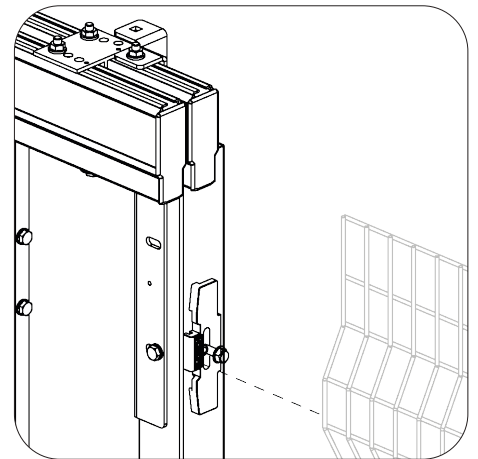
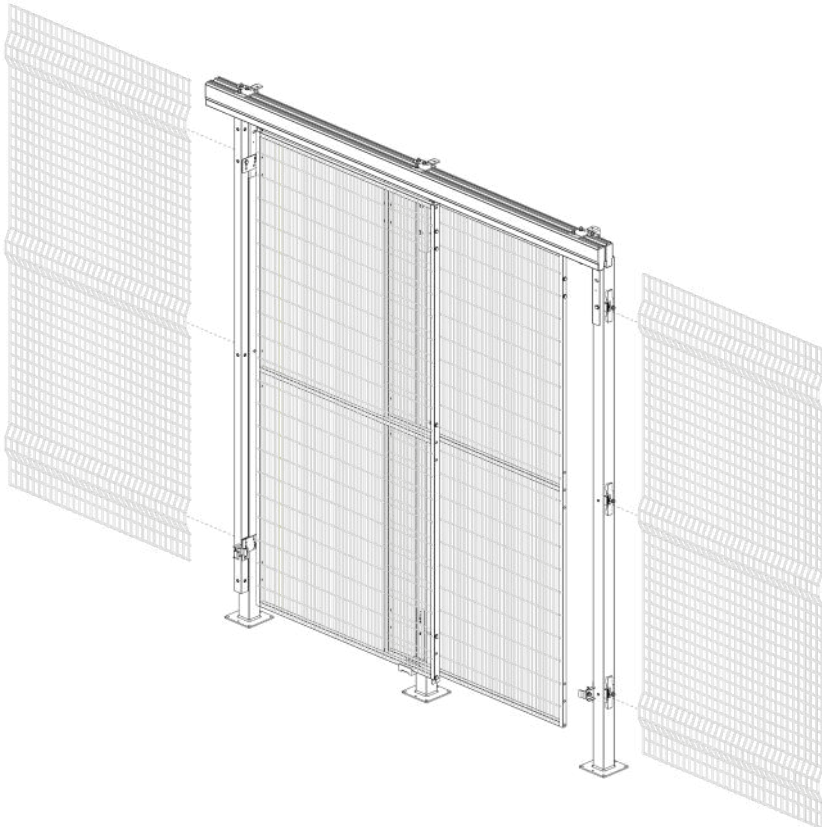
Alternate Upper Guide **Sliding Door**

W < = 1500mm PER SIDE - ASSEMBLY INSTRUCTIONS - LINEAR

ImpactGuard



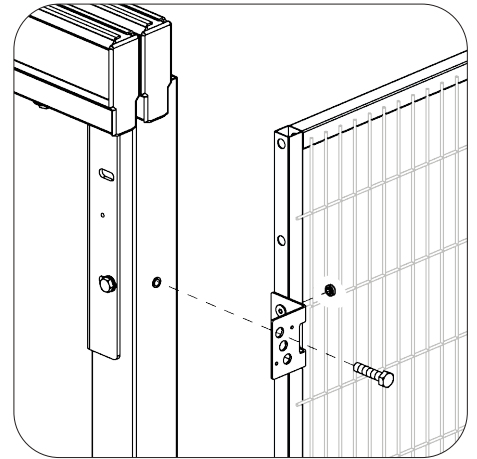
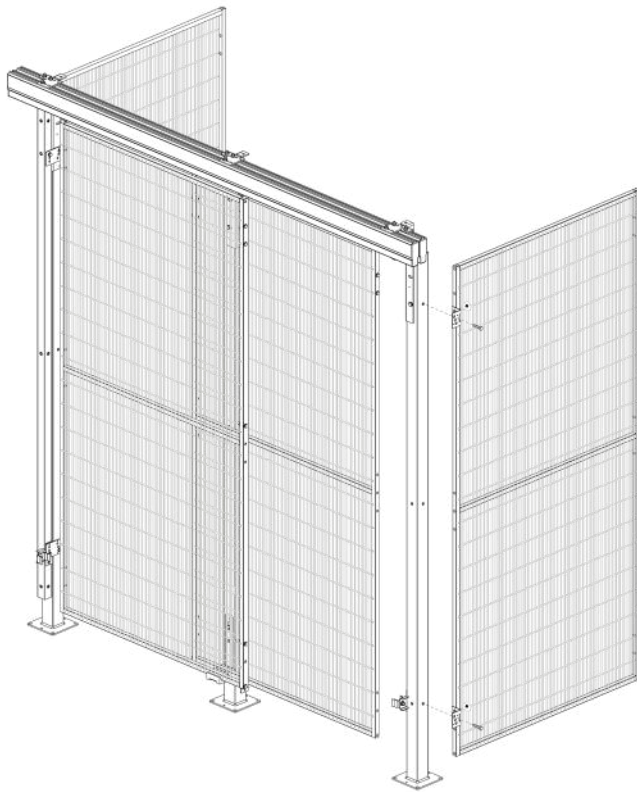
AdaptaGuard



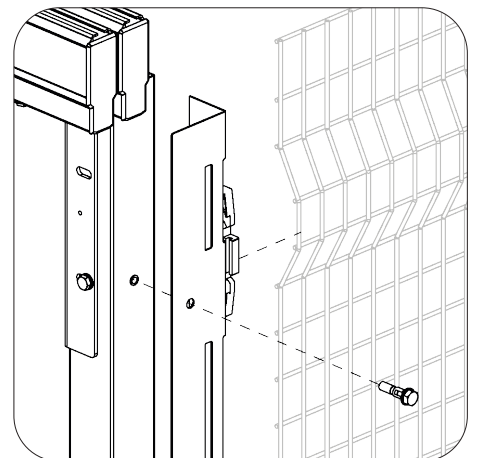
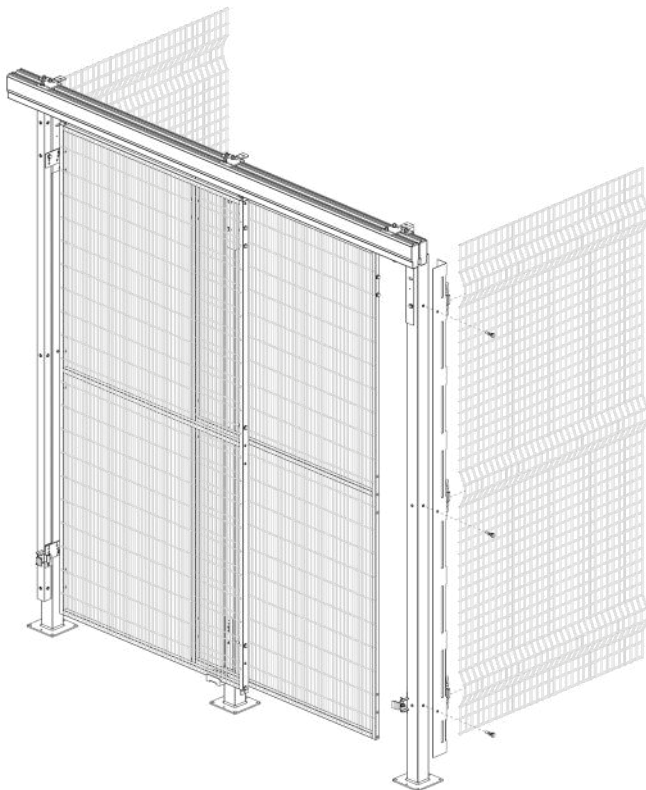
Alternate Upper Guide **Sliding Door**

$W \leq 1500\text{mm}$ PER SIDE - ASSEMBLY INSTRUCTIONS - ANGULAR

ImpactGuard



AdaptaGuard

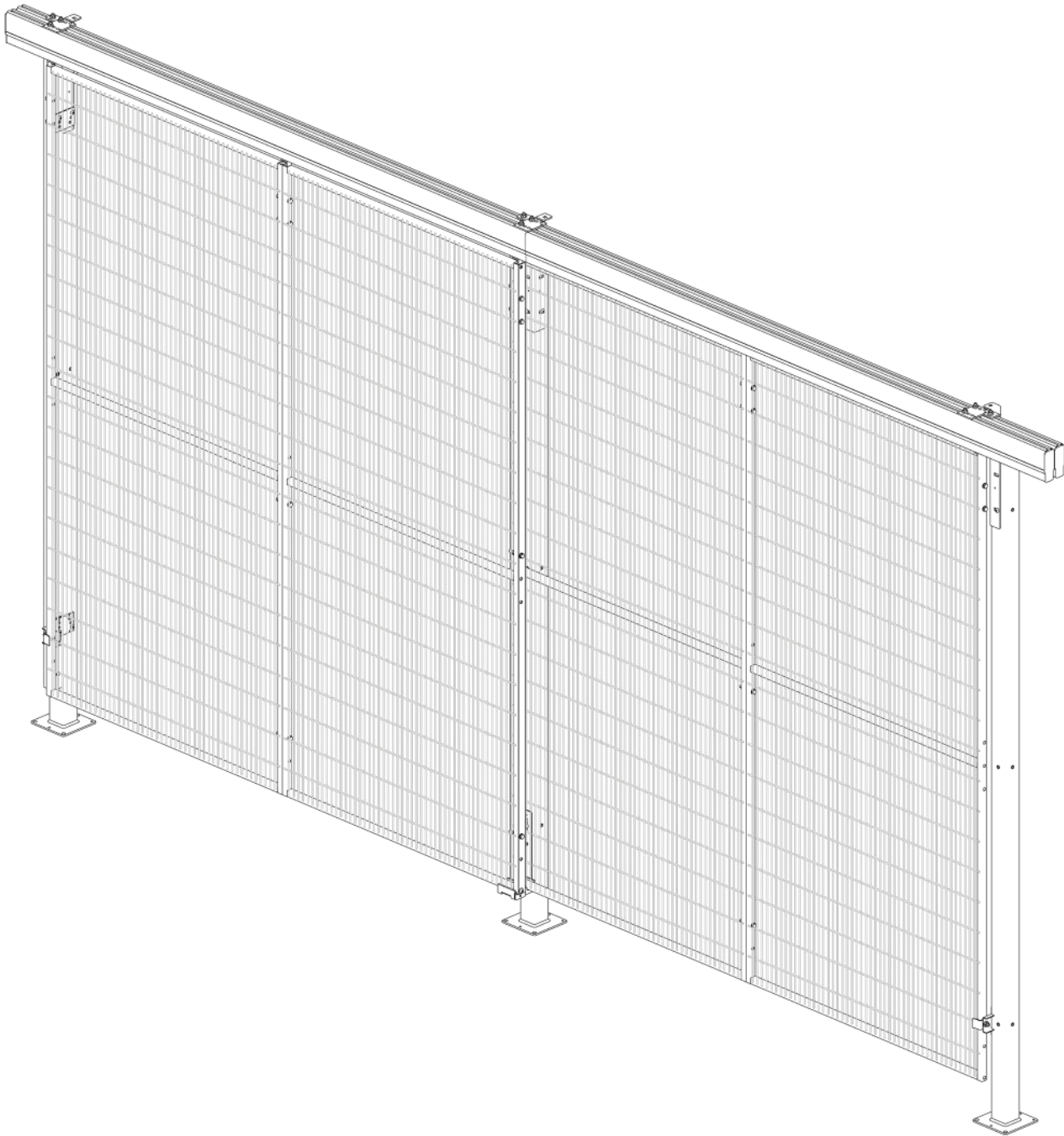
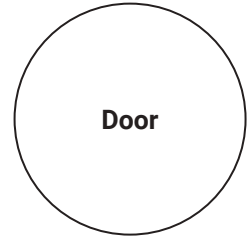


ALTERNATE

Upper Guide Sliding Door

W > 1500 mm AND W < = 3000 mm PER SIDE

ASSEMBLY INSTRUCTIONS



Alternate Upper Guide Sliding Door

W > 1500 mm AND W < = 3000 mm PER SIDE - ASSEMBLY INSTRUCTIONS

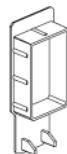
403000000000008

690036



x 2

00003882



x 4

680016D

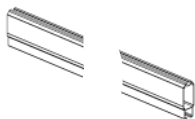


x 2

220516/220517
H2080 H2480

220522/220523/220524
H1480 H2080 H2480

220520



x 4



x 7

220521

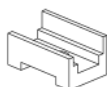


x 2



x 7

220526A



x 2

220510B



x 3

220518A



x 6

220527



x 7

220511A



x 2

00009821



x 2

36905160



x 6

400100000000003

220528



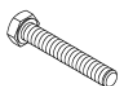
x 1

220529



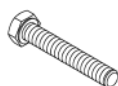
x 1

ISO 4017 M8 x 70



x 4

ISO 4017 M8 x 50



x 6

ISO 10642 M8 x 20



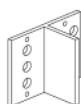
x 2

ISO 8678 M8 x 20



x 4

220514



x 4

ISO 7380 M8 x 16



x 10

ISO 15480 Ø4.8 x 16



x 14

ISO 7089 Ø8



x 8

ISO 7093/2 Ø8



x 8

ISO 4161 M8



x 8

460KCAROMGE X6

ISO 4017 M8 x 20



x 2

ISO 7089 Ø8



x 2

ISO 4161 M8



x 4

400100000000004

ISO 8678 M8 x 20



x 5

ISO 7380 M8 x 16



x 2

ISO 10642 M8 x 20



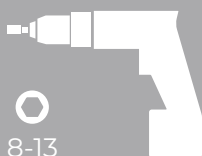
x 2

ISO 4161 M8



x 9

Tools



8-13



13

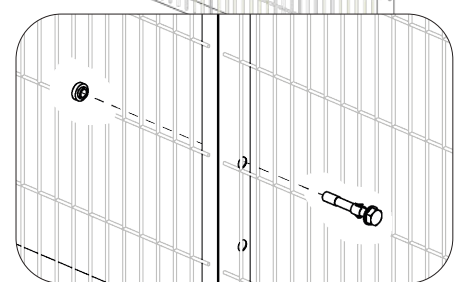
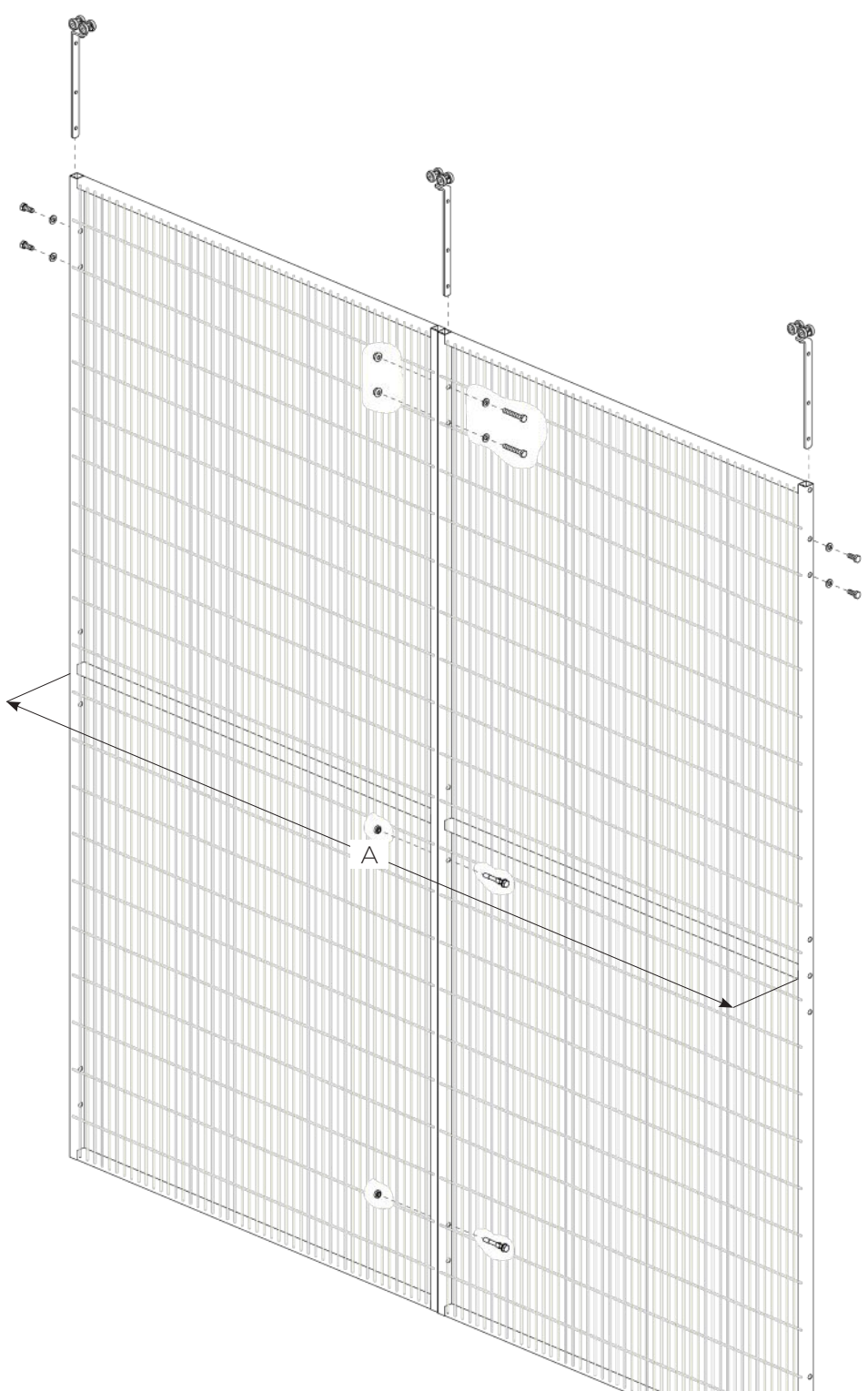
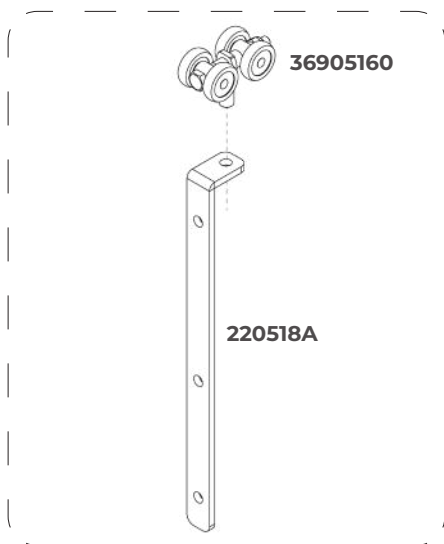
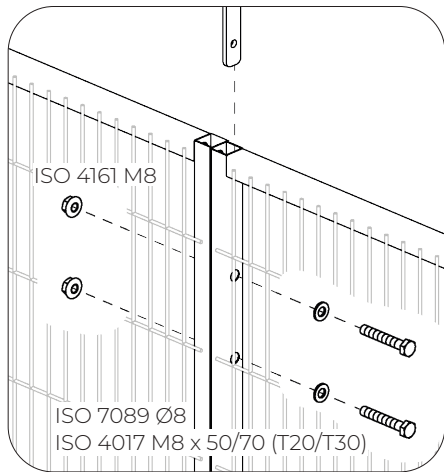
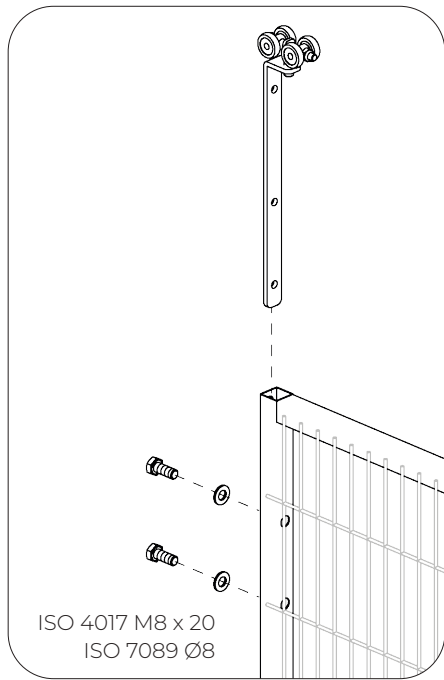


5



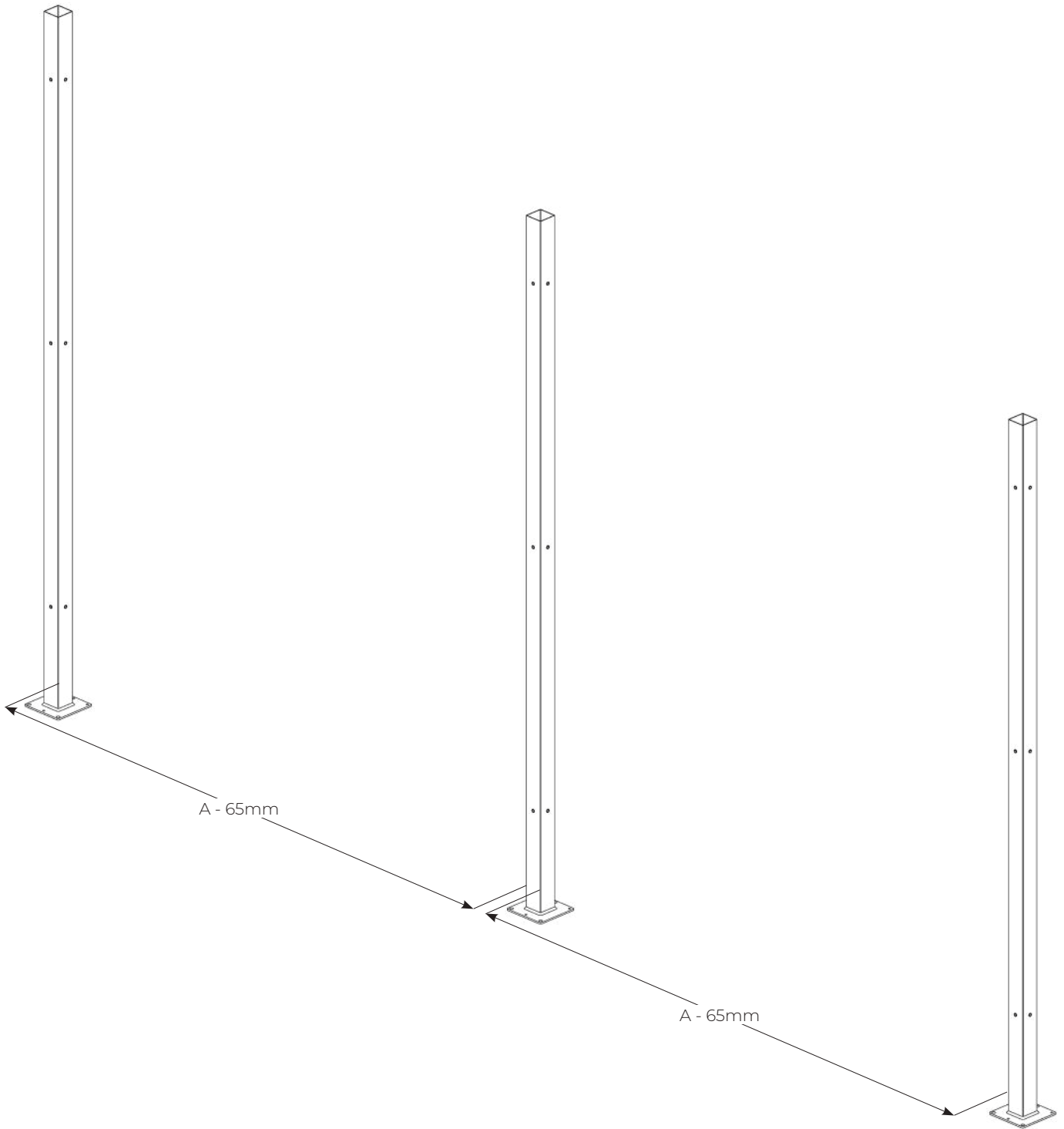
Alternate Upper Guide **Sliding Door**

W > 1500 mm AND W < = 3000 mm PER SIDE - ASSEMBLY INSTRUCTIONS



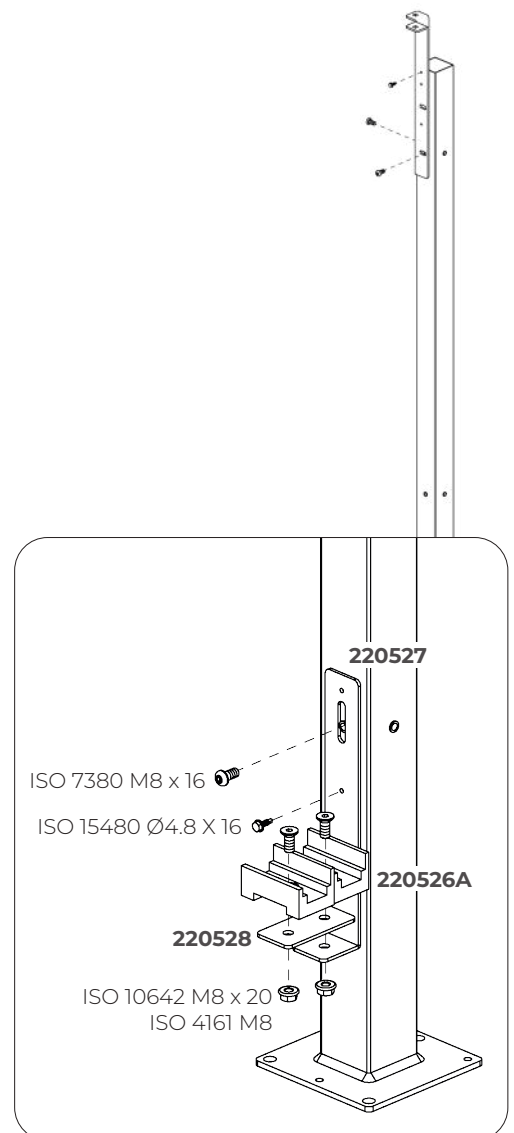
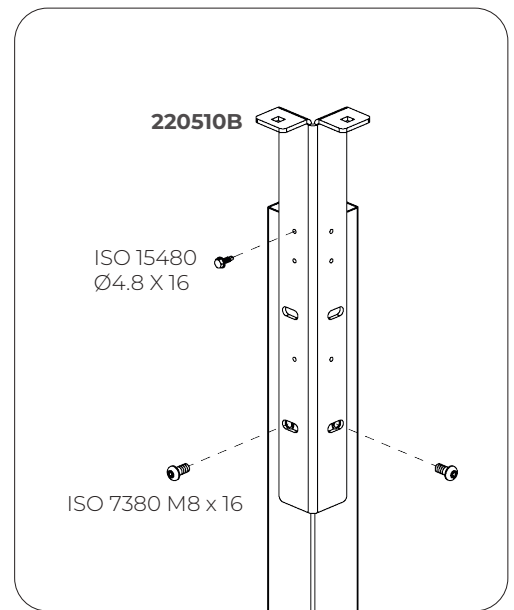
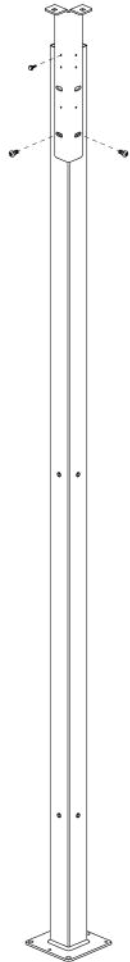
Alternate Upper Guide **Sliding Door**

W > 1500 mm AND W < = 3000 mm PER SIDE - ASSEMBLY INSTRUCTIONS



Alternate Upper Guide **Sliding Door**

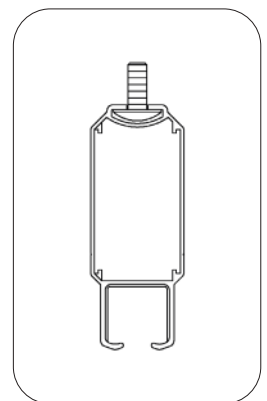
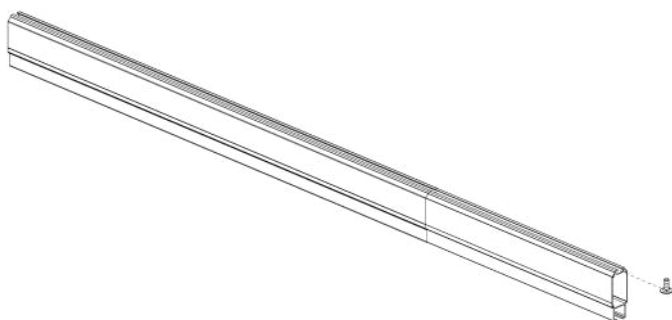
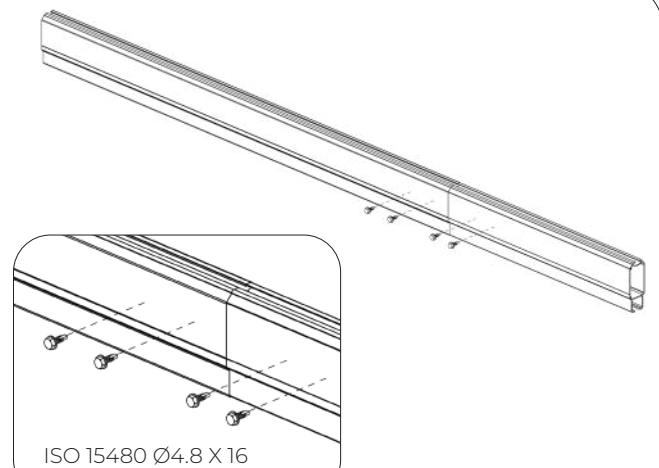
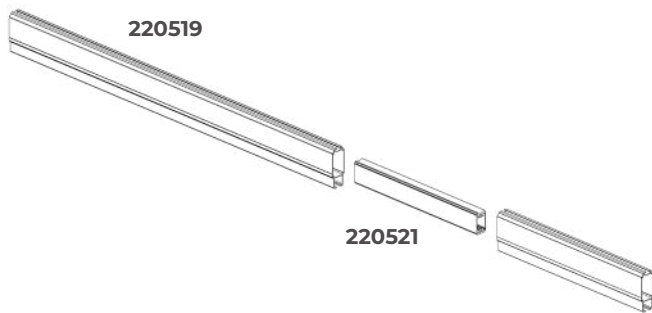
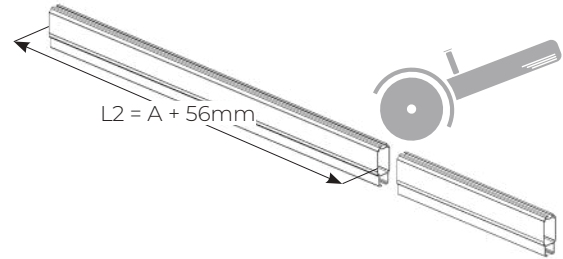
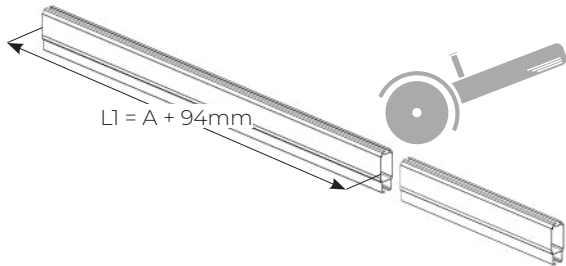
W > 1500 mm AND W < = 3000 mm PER SIDE - ASSEMBLY INSTRUCTIONS



Alternate Upper Guide **Sliding Door**

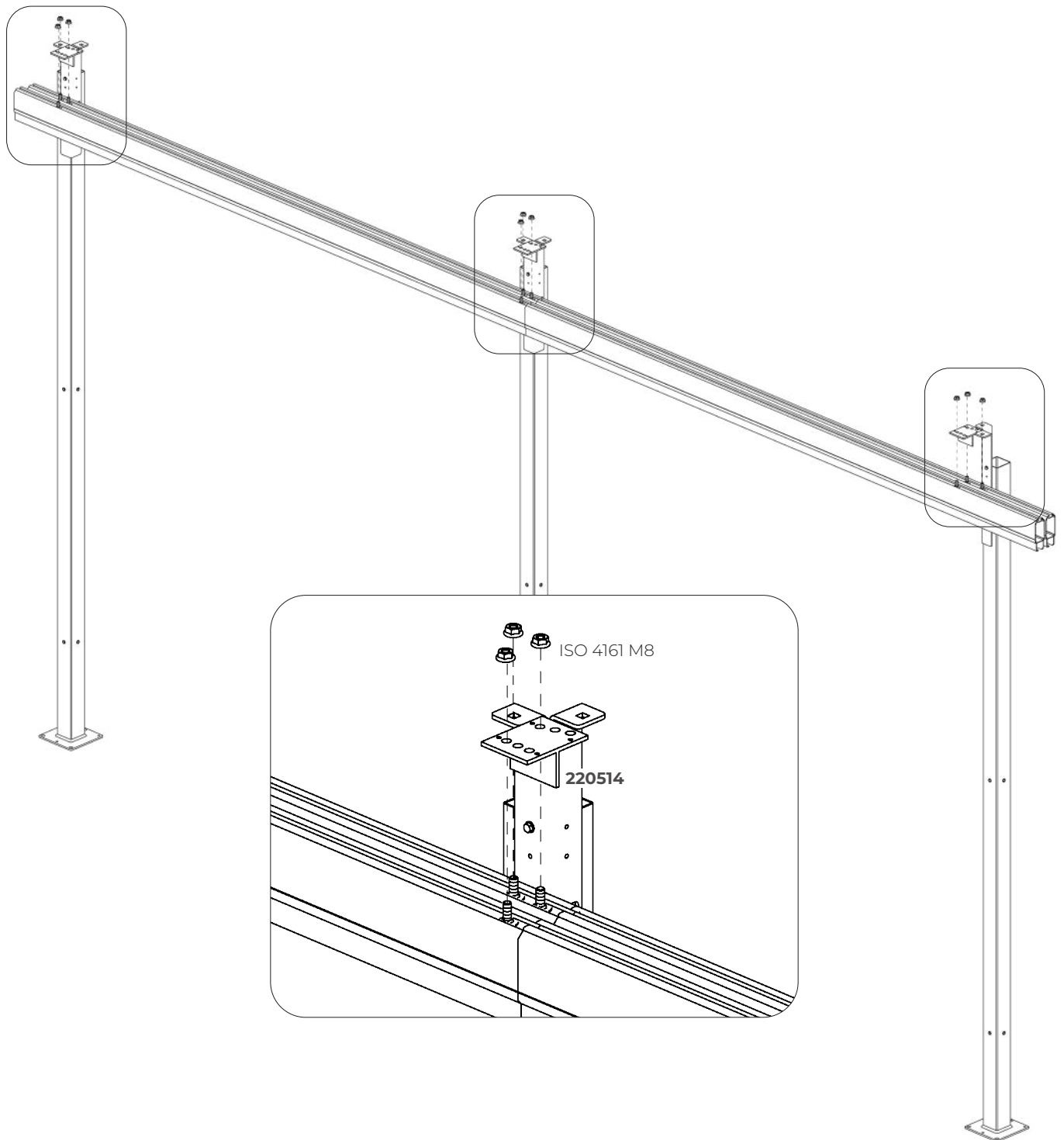
W > 1500 mm AND W < = 3000 mm PER SIDE - ASSEMBLY INSTRUCTIONS

220519



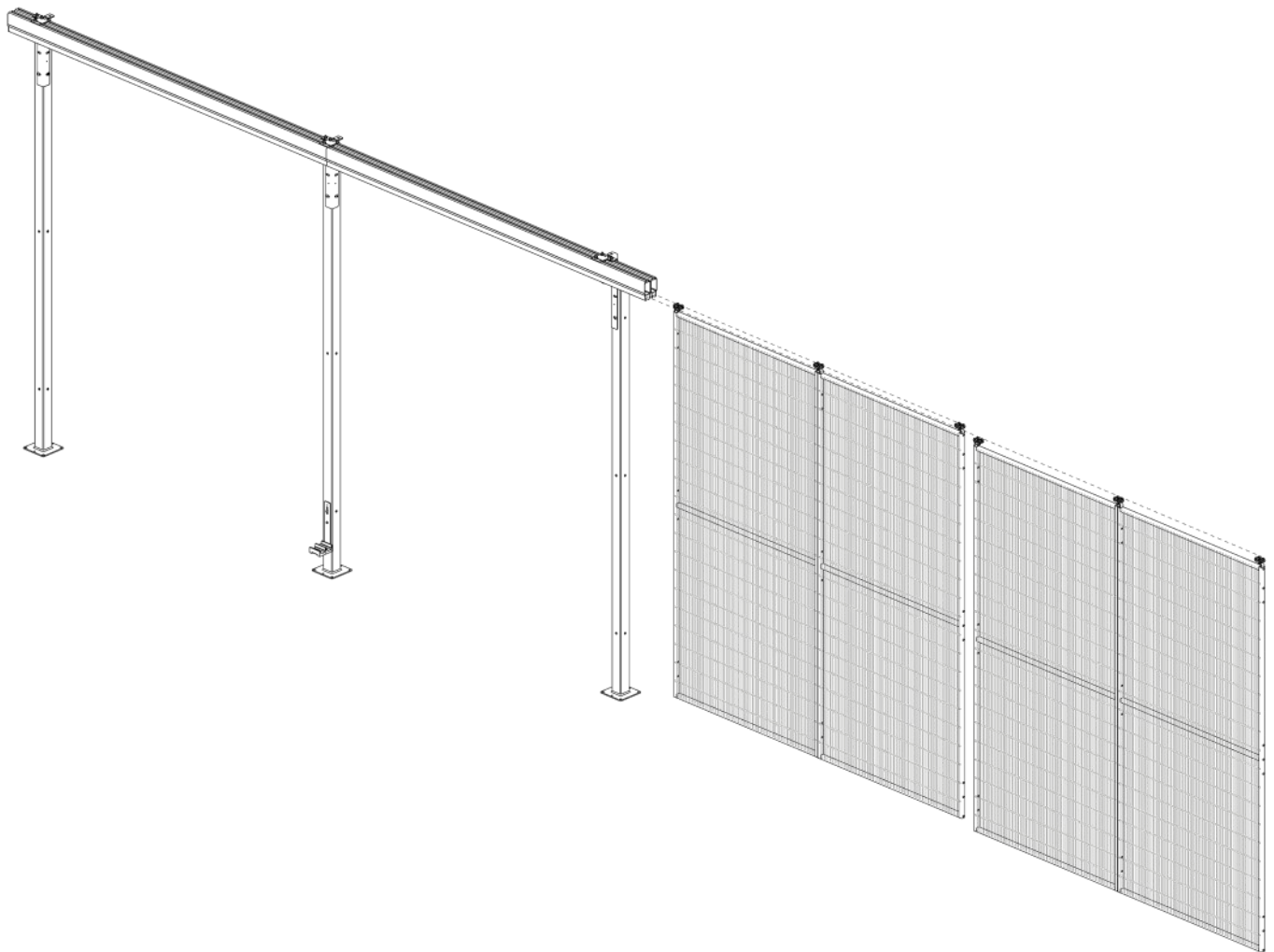
Alternate Upper Guide **Sliding Door**

W > 1500 mm AND W < = 3000 mm PER SIDE - ASSEMBLY INSTRUCTIONS



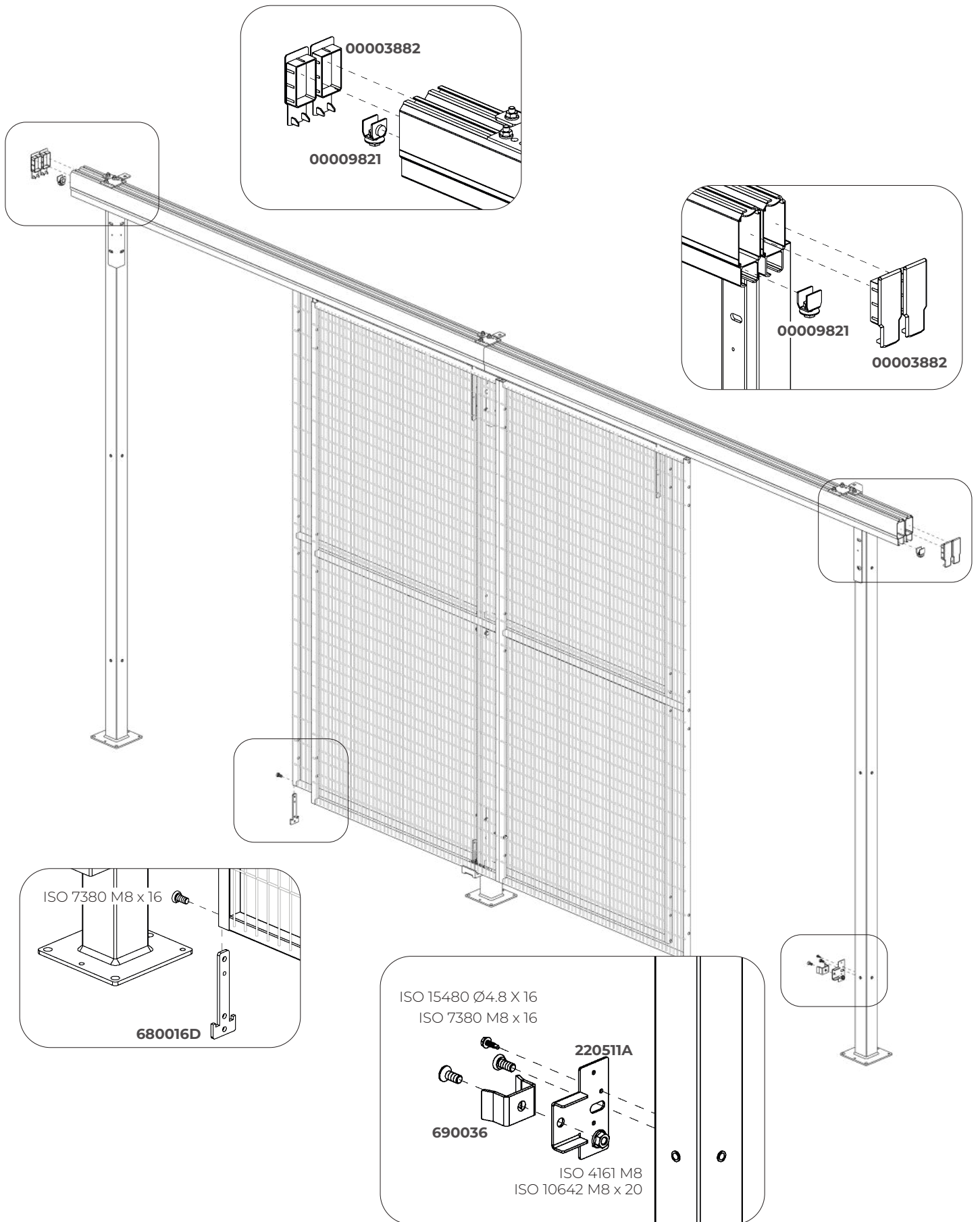
Alternate Upper Guide **Sliding Door**

W > 1500 mm AND W < = 3000 mm PER SIDE - ASSEMBLY INSTRUCTIONS



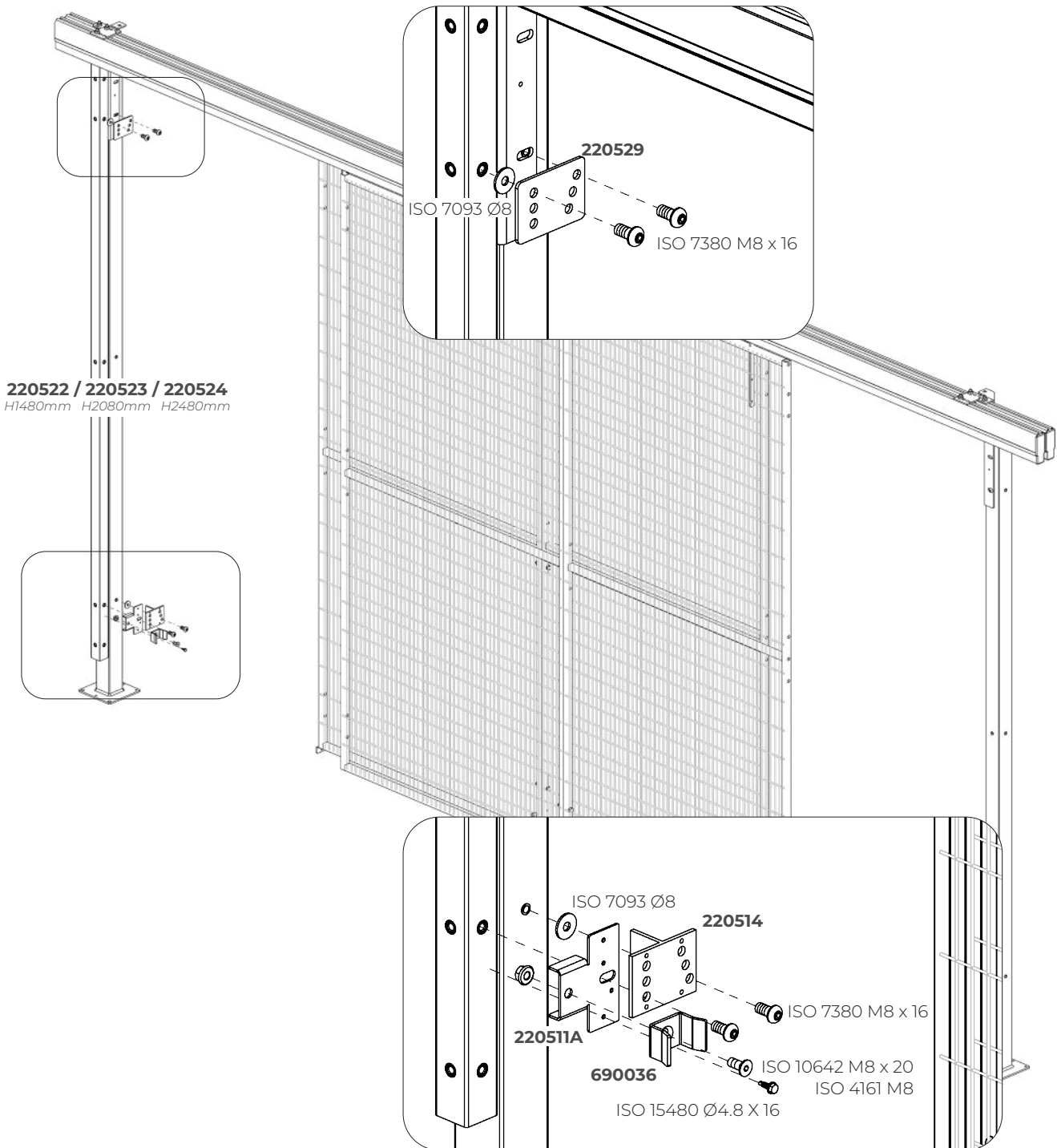
Alternate Upper Guide **Sliding Door**

W > 1500 mm AND W < = 3000 mm PER SIDE - ASSEMBLY INSTRUCTIONS



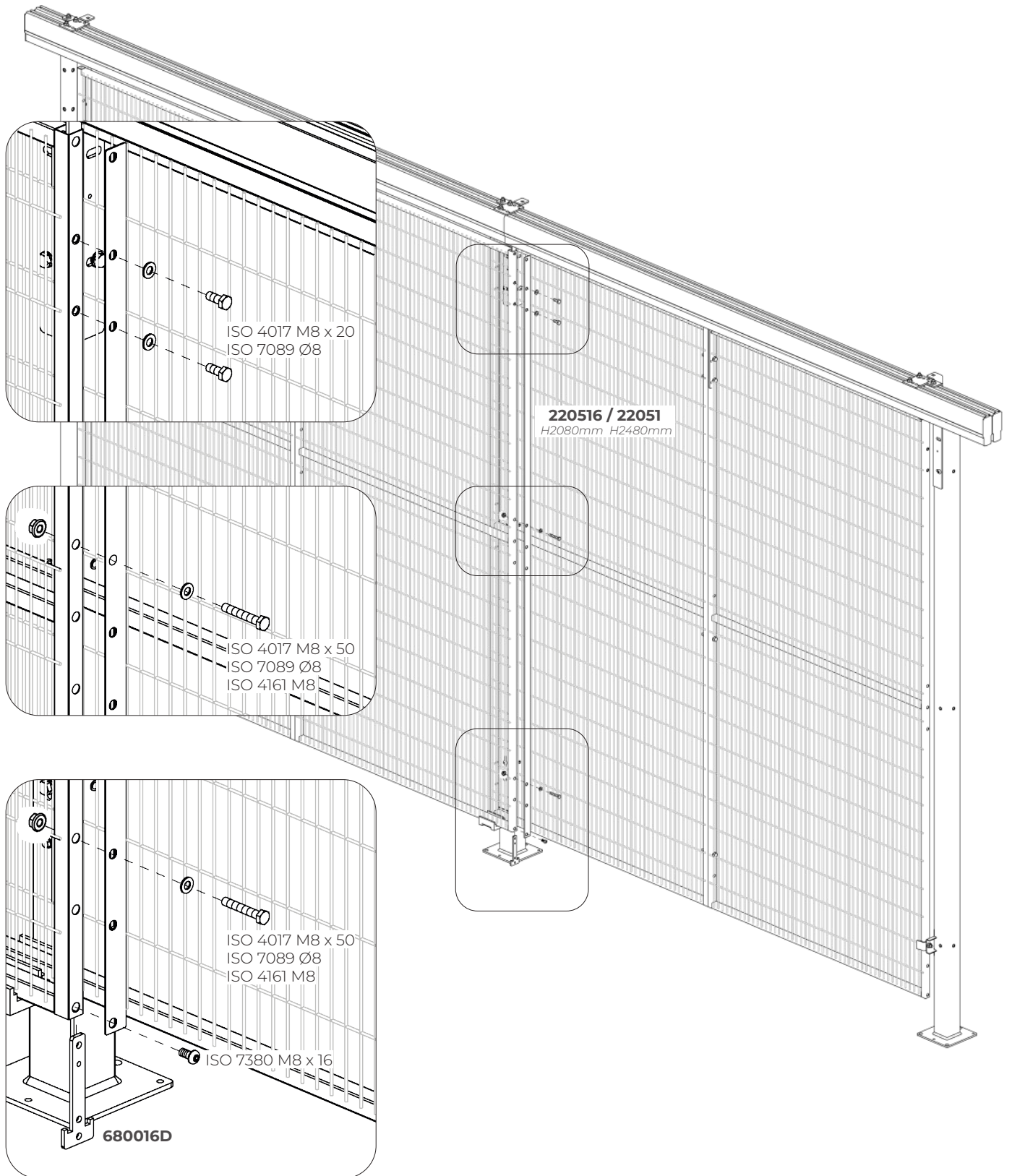
Alternate Upper Guide **Sliding Door**

W > 1500 mm AND W < = 3000 mm PER SIDE - ASSEMBLY INSTRUCTIONS



Alternate Upper Guide **Sliding Door**

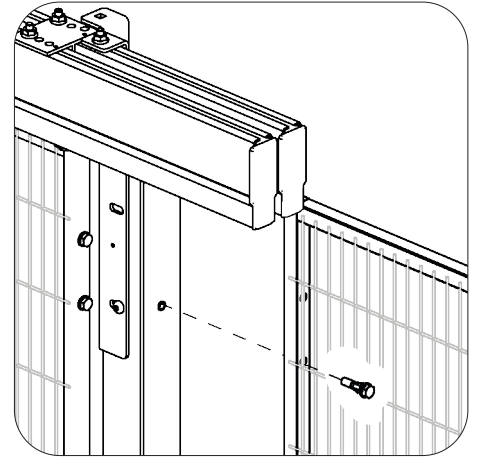
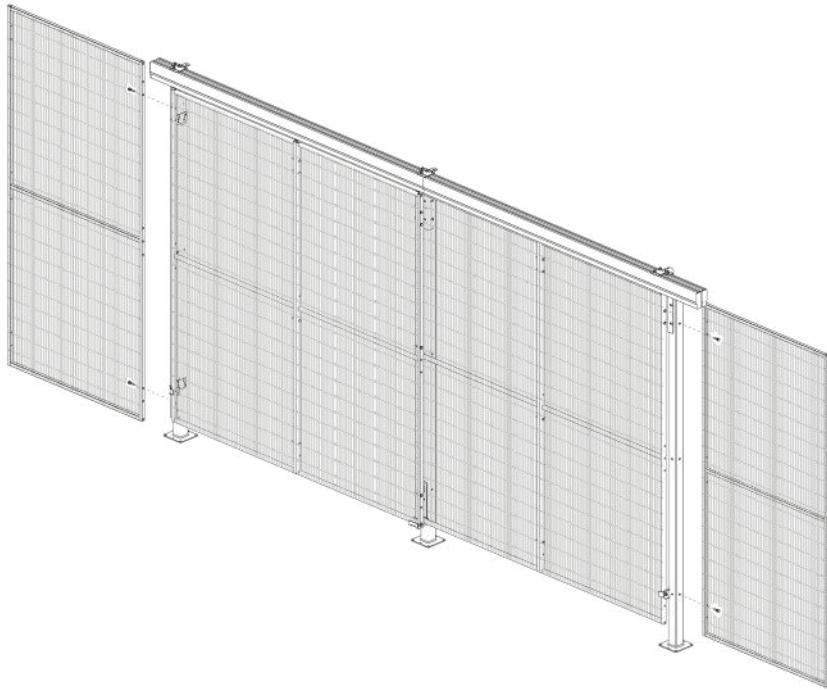
W > 1500 mm AND W < = 3000 mm PER SIDE - ASSEMBLY INSTRUCTIONS



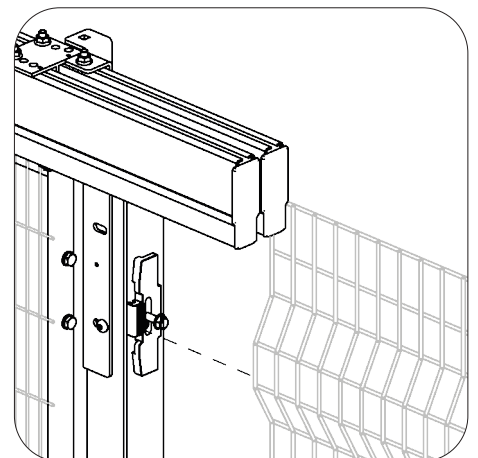
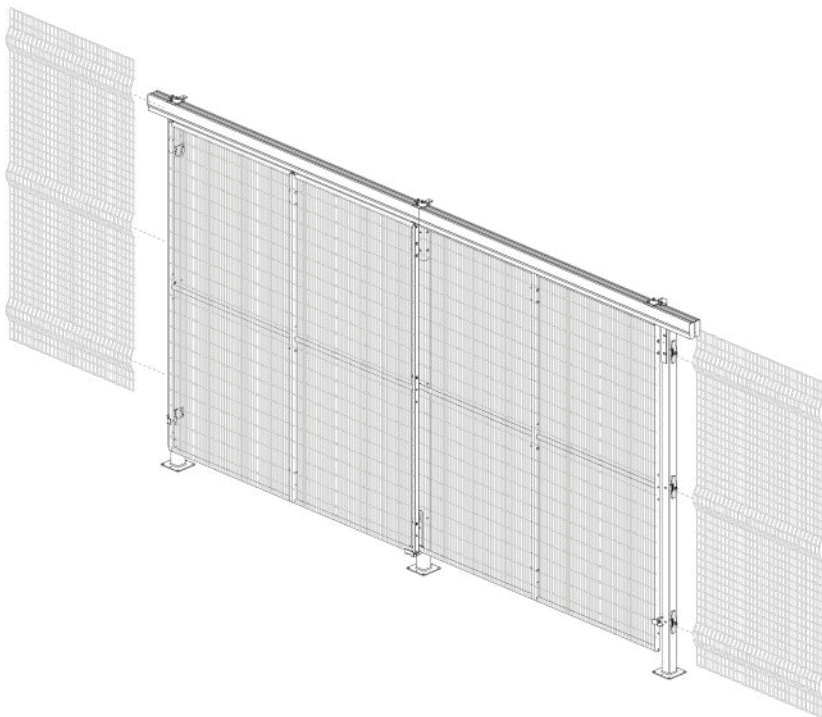
Alternate Upper Guide **Sliding Door**

W > 1500 mm AND W < = 3000 mm PER SIDE - ASSEMBLY INSTRUCTIONS - LINEAR

ImpactGuard



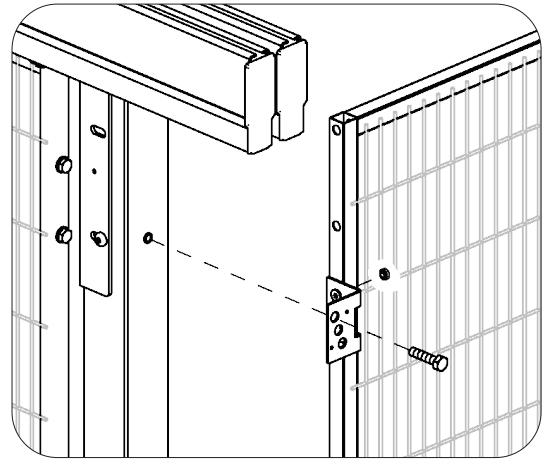
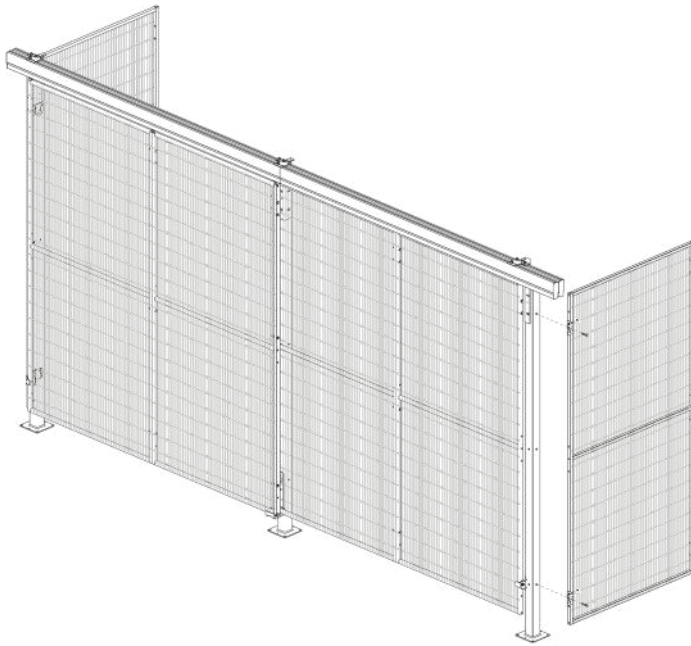
AdaptaGuard



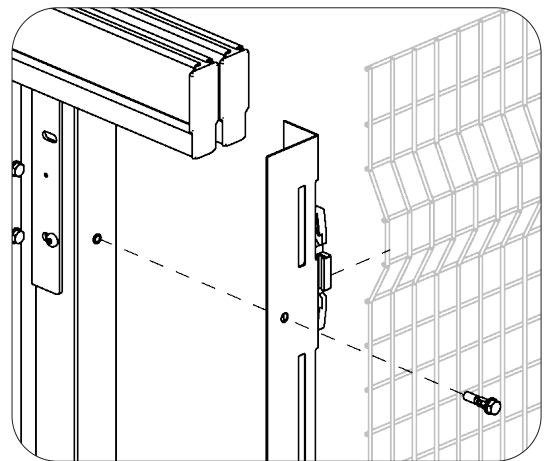
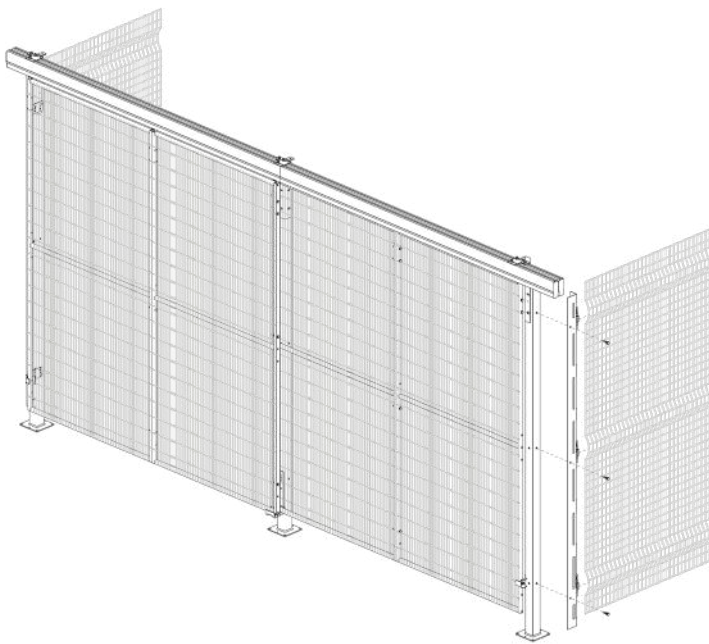
Alternate Upper Guide **Sliding Door**

W > 1500 mm AND W < = 3000 mm PER SIDE - ASSEMBLY INSTRUCTIONS - ANGULAR

ImpactGuard



AdaptaGuard



Modular Machine Guards that fit your needs.

Tailor-made solutions for the safety of operators and machinery



Protecting workers and machinery is paramount to create a safe and productive work environment. Satech Modular Machine Guards Systems, Doors and Accessories provide tailor-made solutions for any machinery layout need. **3 framed Systems, 2 frameless Systems and more than 150 Locks/Interlocks** ensure the maximum level of protection (PL) when accessing hazard areas for inspection or machinery maintenance.

Perimeter Protection Machine Safety Guards compliant with European and International Standards

Satech Machine Guards are manufactured in compliance with the **EN ISO 14120** standard, "General requirements for the design and construction of fixed and movable guards". They can be installed at a minimum distance of **120 mm from hazard** (as for EN ISO 13857), saving you plenty of layout space.

All Satech products are manufactured with **quality materials** and are highly durable. Mesh panels and other panel solutions can be easily and rapidly connected to posts (with captive retained fastenings, as for 2006/42/CE - Machinery Directive), which allows you to greatly **reduce assembly time**.

Founded in 2000, Satech was the first Italian Perimeter Guards Manufacturer. A **modern international company** today, in our 20+ years of work we have taken care of the safety of thousands of automated machinery systems and of millions of people worldwide. A **Safe Factory** is a **Productive One**.



Need help with this manual?

If you need additional specs, tips or manuals, please call our **Customer Service** at

+39 031 86230 85

SATECH
Modular Machine Guards

Satech Safety Technology SpA

Via Conte Taverna, 1
I-23892 Bulciago (LC)
Phone +39 031 86230 11



CERTIFIED
ISO 9001
ISO 14001
ISO 45001

