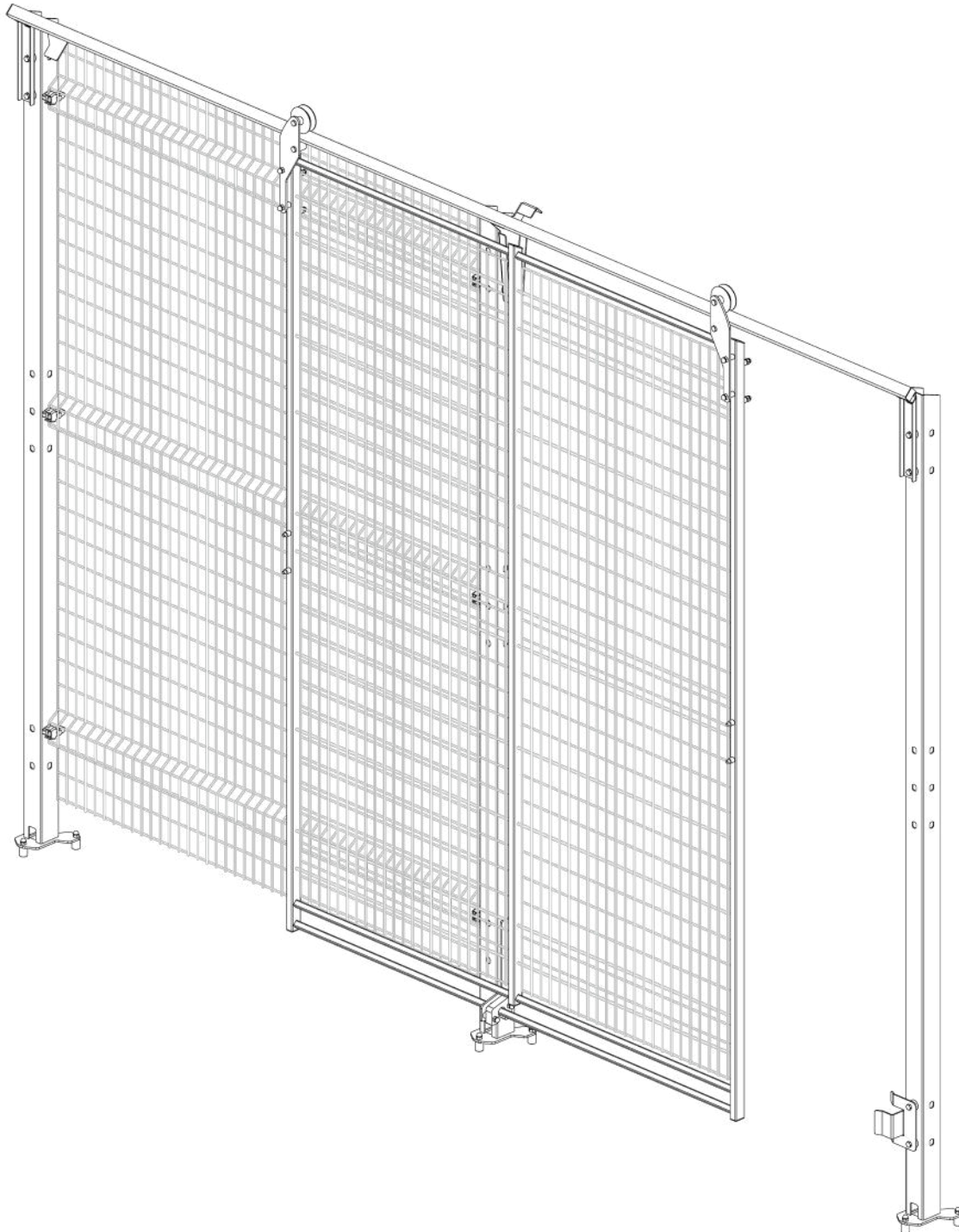


SINGLE

Upper Guide Sliding Door

ASSEMBLY INSTRUCTIONS

Door

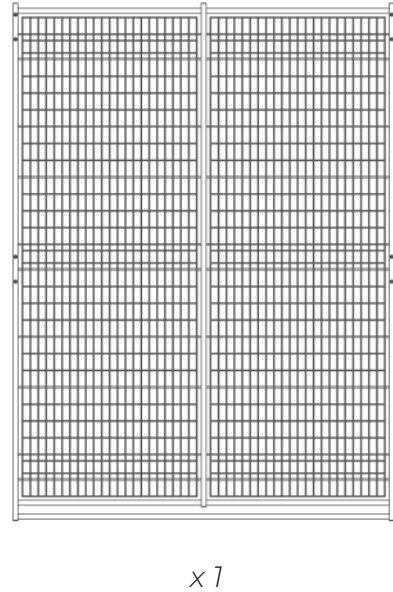
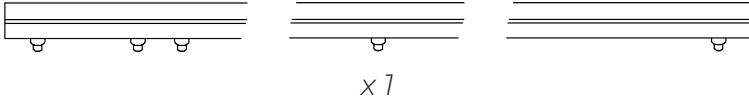


BlueGuard Single Upper Guide Sliding Door

ASSEMBLY INSTRUCTIONS

830052B
16502025

830051A
16502020



4SKBLGSUS
16502040

830058



x 1

830053A



x 2

830061A



x 1

830056



x 1

830057



x 1

830066



x 1

830062A



x 1

830064A



x 1

830059A



x 2

830063



x 2

ISO 4017 M8 X 45



x 2

DIN 1587 M8



x 23

ISO 7093 Ø8 Ø24



x 2

4KBGLAGGAC X5

830021



x 10

830026A



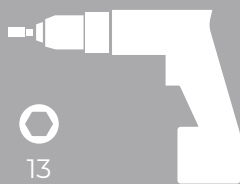
x 10

ISO 4017 M8 X 25



x 10

Tools



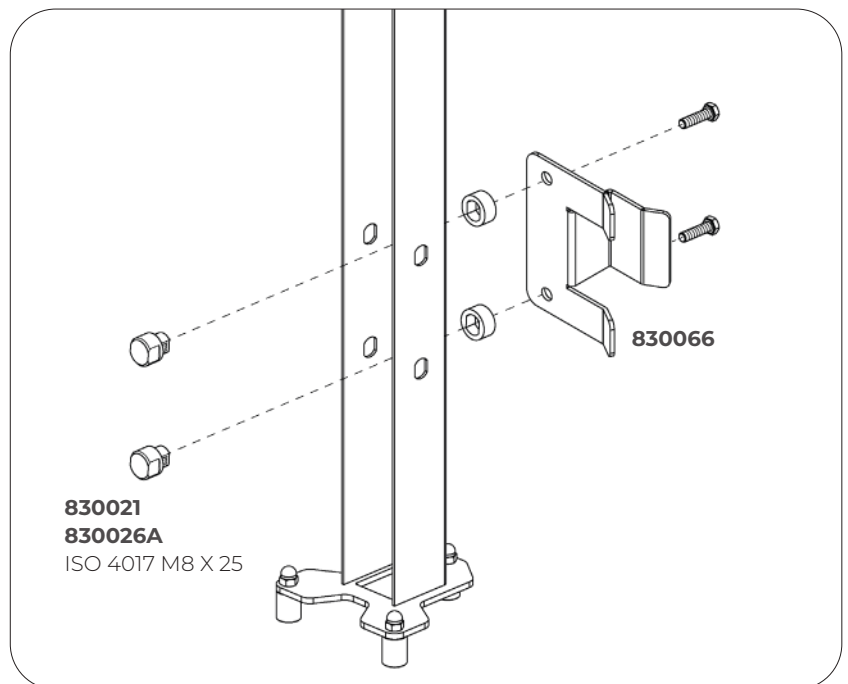
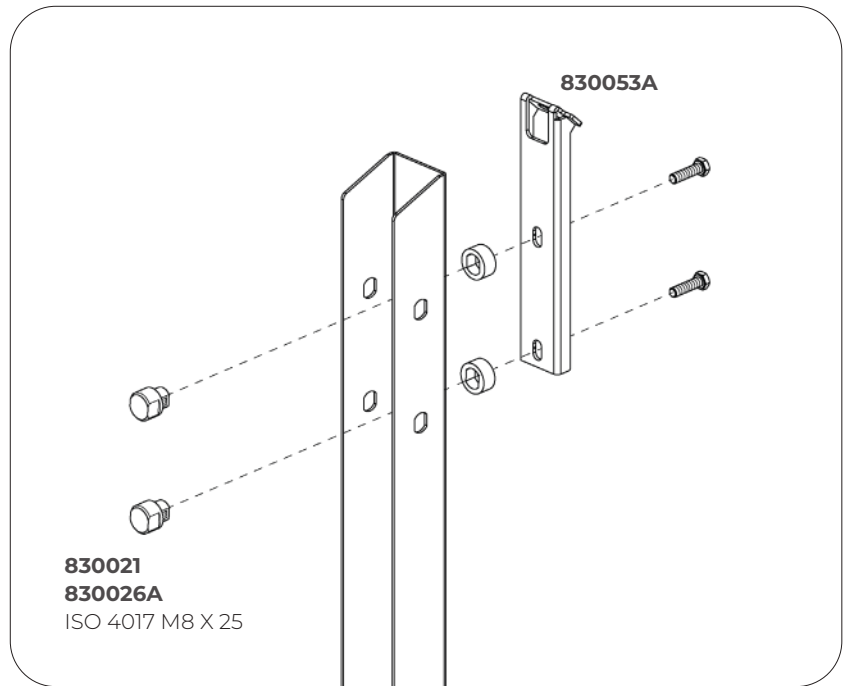
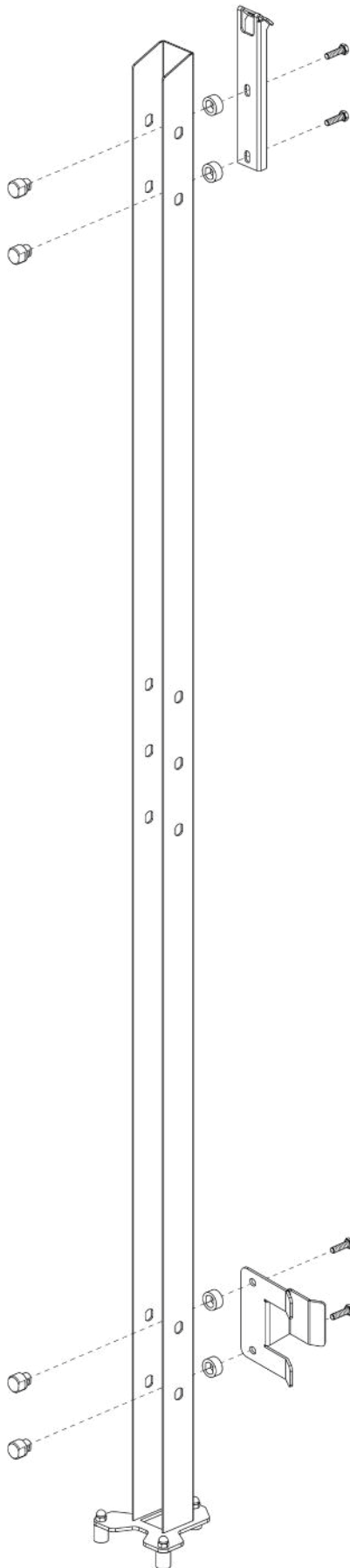
13



13

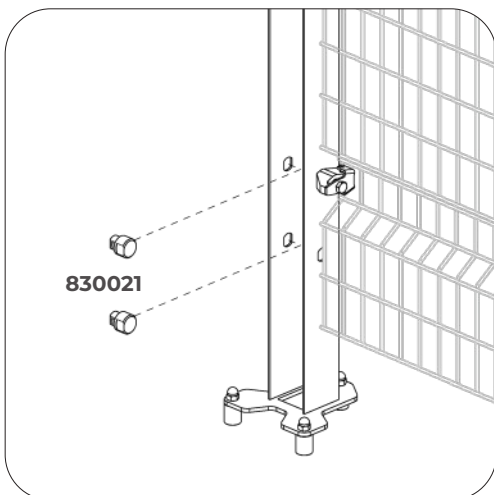
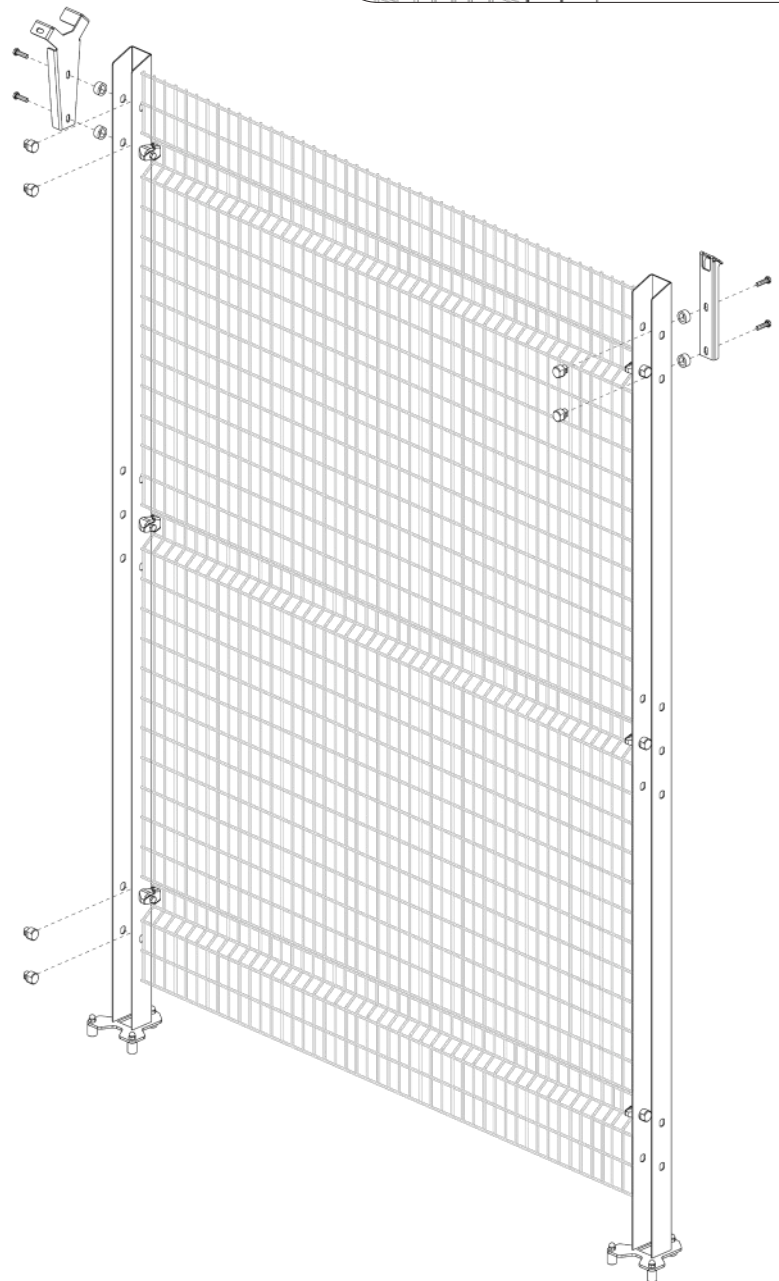
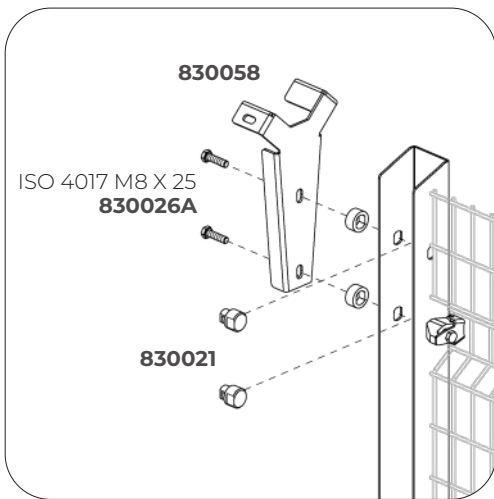
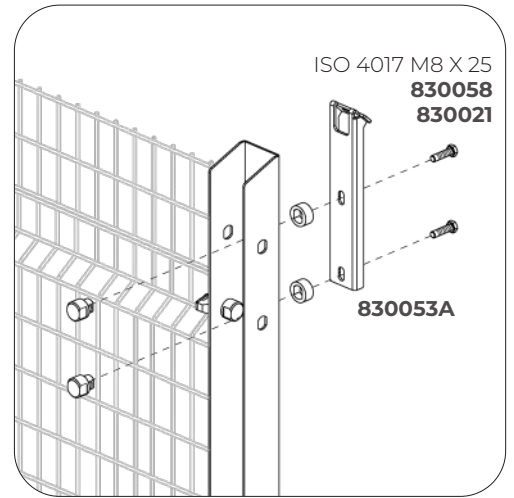
BlueGuard Single Upper Guide Sliding Door

ASSEMBLY INSTRUCTIONS



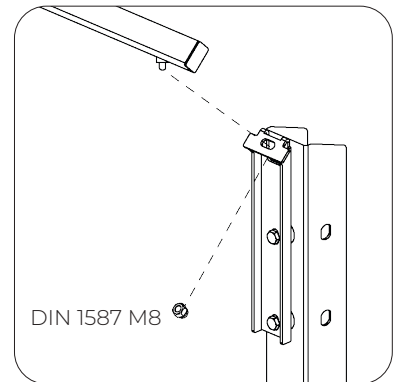
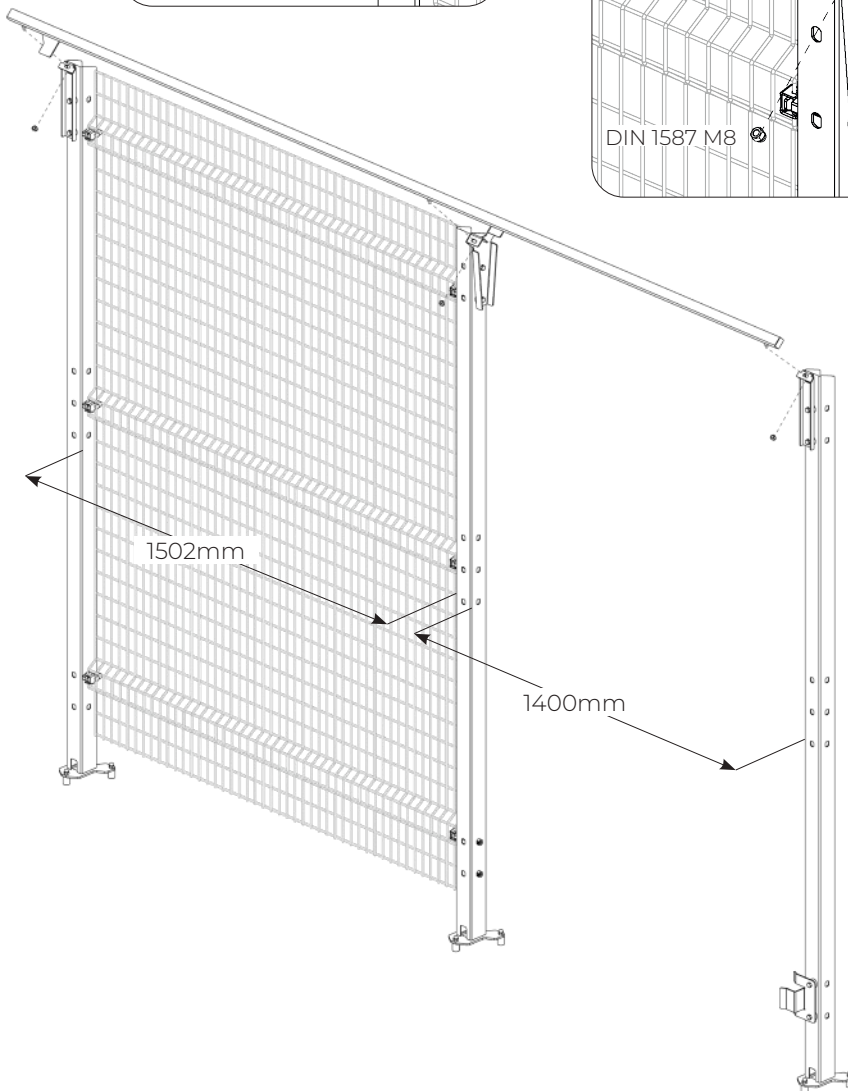
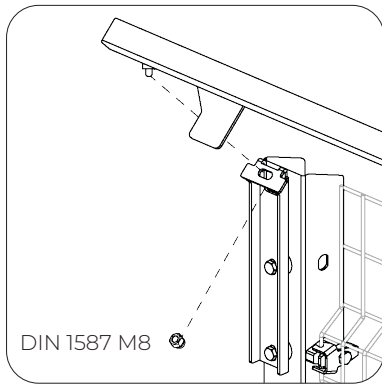
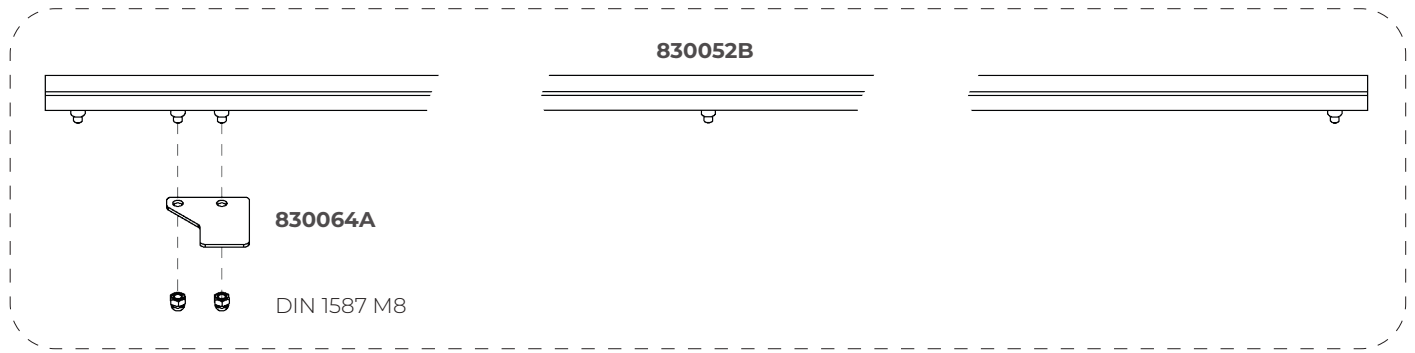
BlueGuard Single Upper Guide Sliding Door

ASSEMBLY INSTRUCTIONS



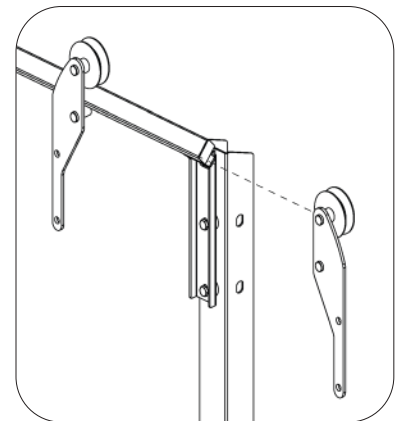
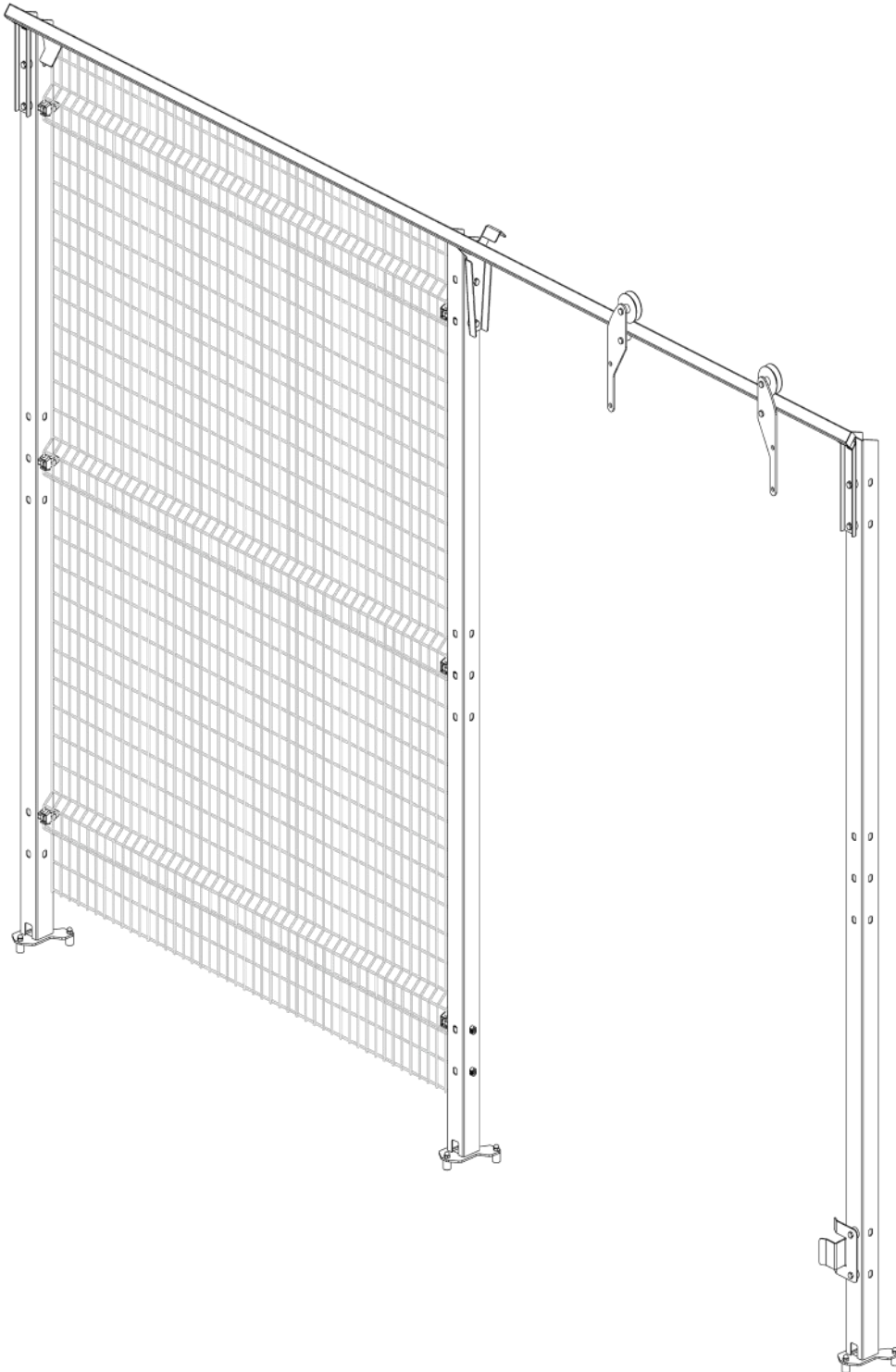
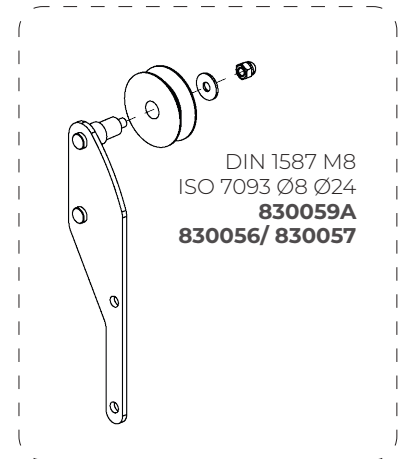
BlueGuard Single Upper Guide Sliding Door

ASSEMBLY INSTRUCTIONS



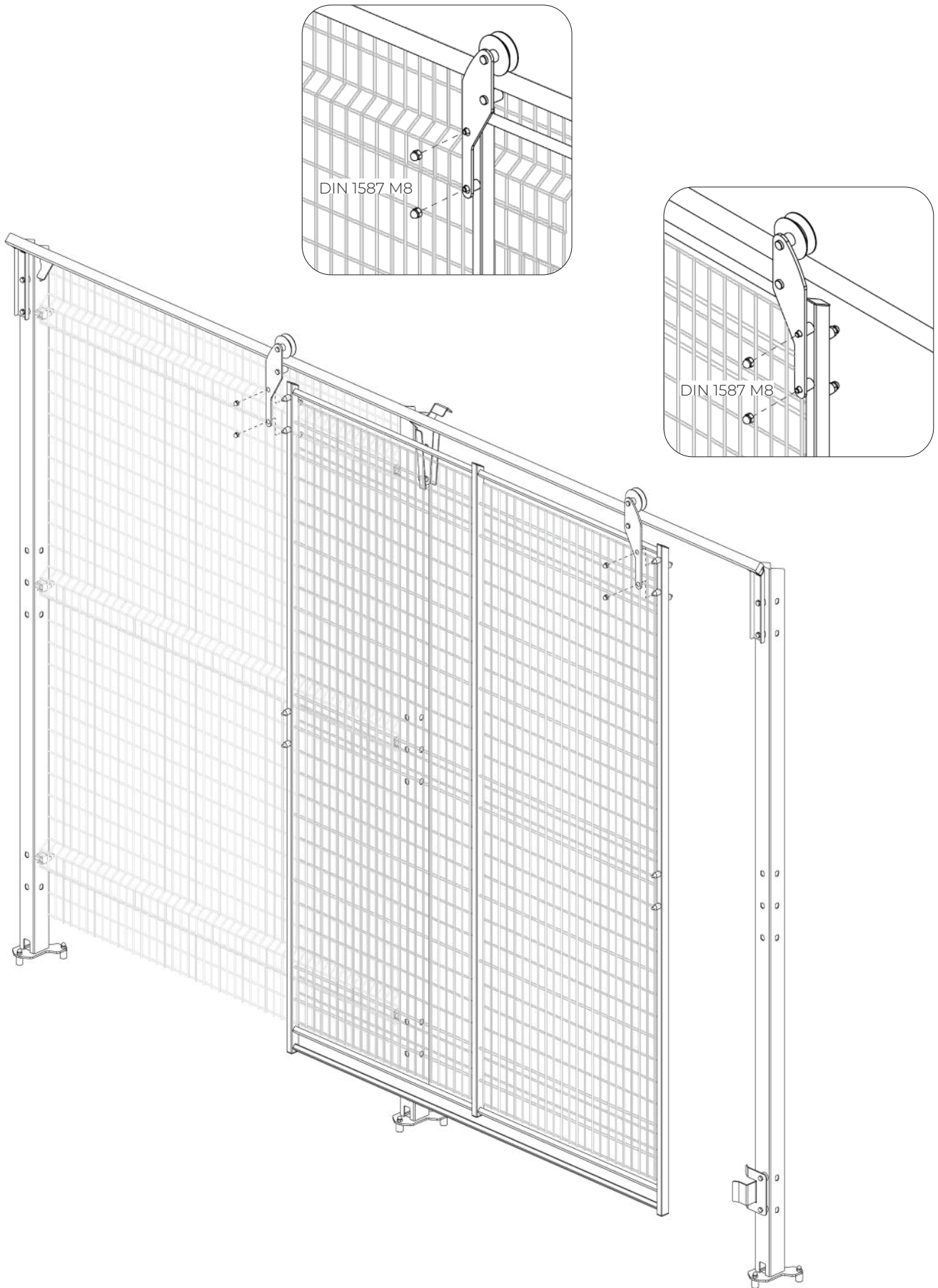
BlueGuard Single Upper Guide Sliding Door

ASSEMBLY INSTRUCTIONS



BlueGuard Single Upper Guide Sliding Door

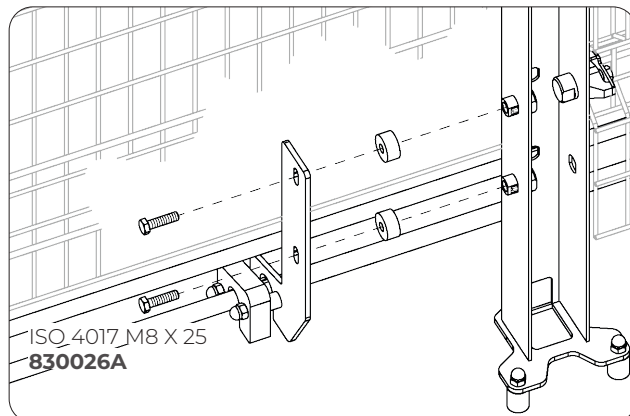
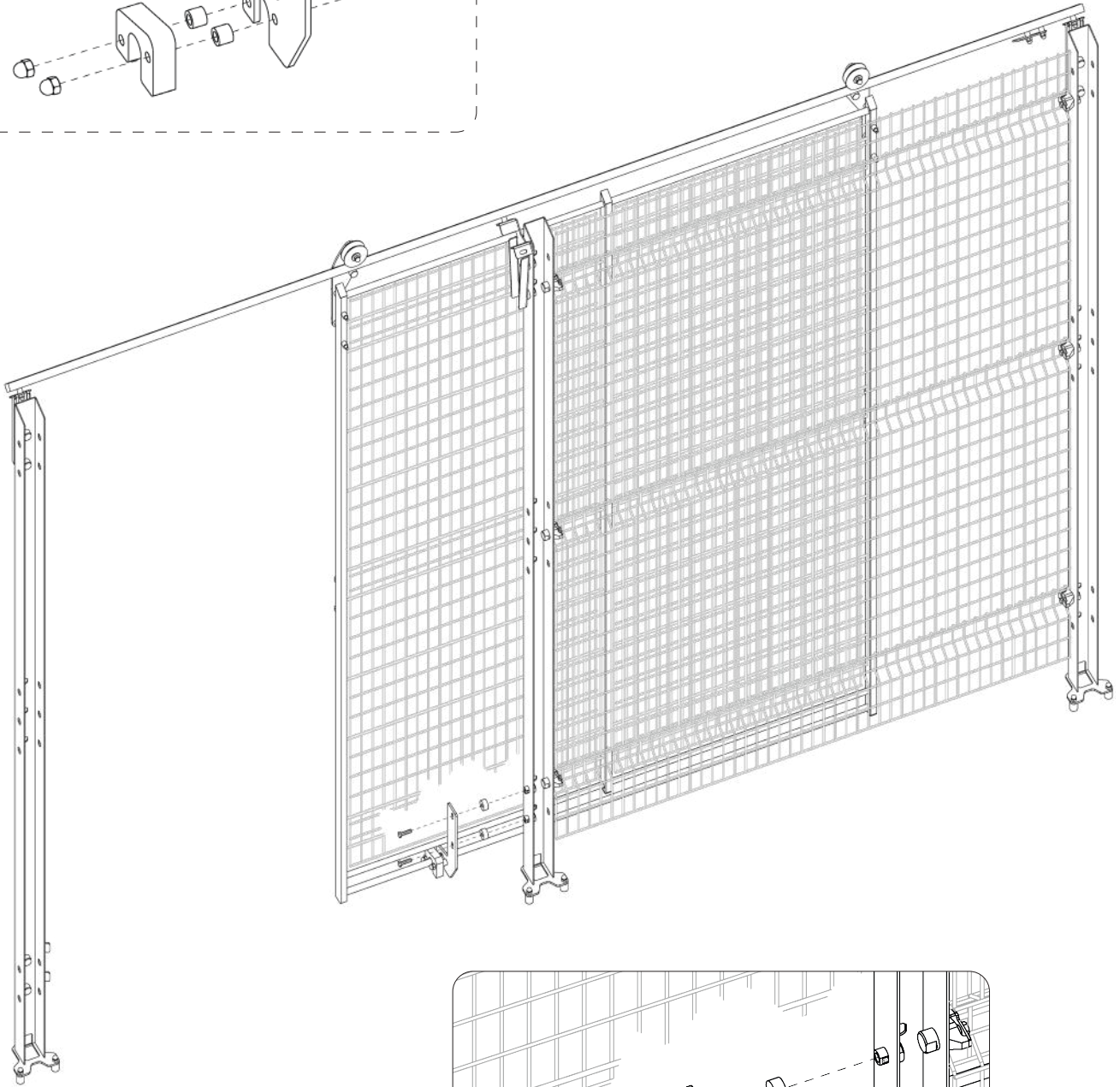
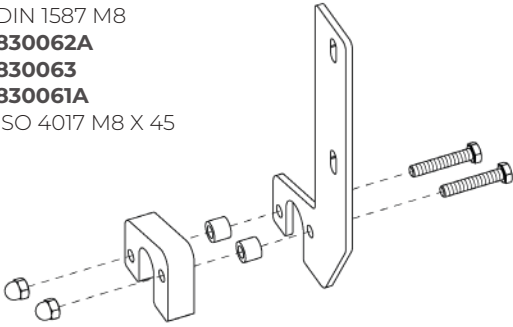
ASSEMBLY INSTRUCTIONS



BlueGuard Single Upper Guide Sliding Door

ASSEMBLY INSTRUCTIONS

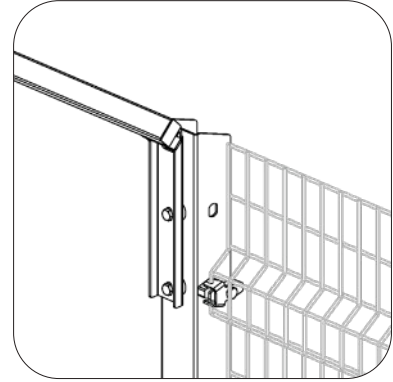
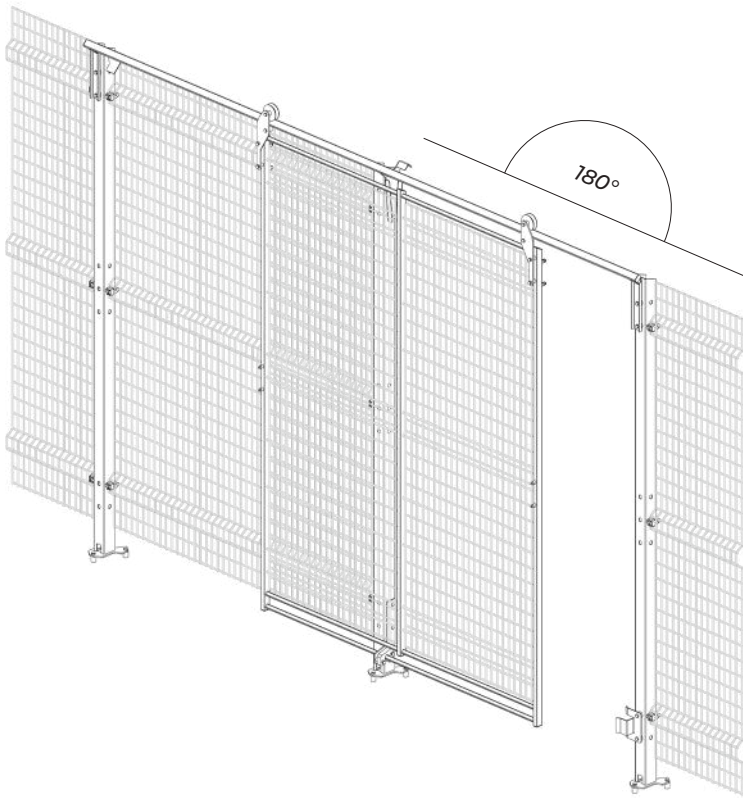
DIN 1587 M8
830062A
830063
830061A
ISO 4017 M8 X 45



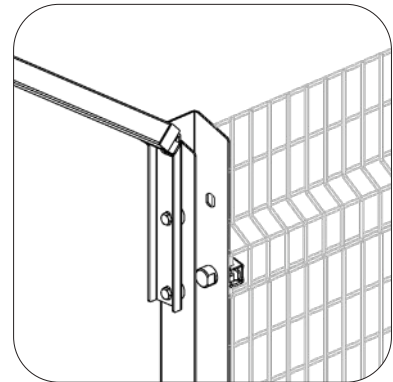
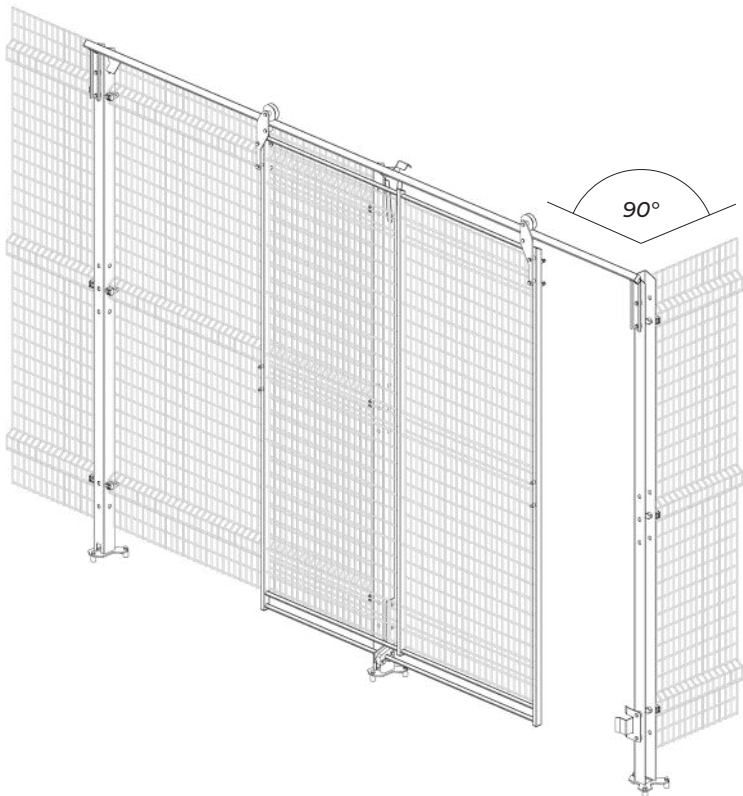
BlueGuard Single Upper Guide Sliding Door

ASSEMBLY INSTRUCTIONS

LINEAR ASSEMBLY



ANGULAR 90° ASSEMBLY



A large grid of graph paper for taking notes, consisting of 20 columns and 30 rows of small squares. The grid is enclosed in a rounded rectangular border.